

Frigelux®

INSTRUCTION MANUAL

Back counter



Models

**AB110MIR – AB130MIR - AB211MIR -
AB320MIR**

To ensure proper use of this appliance and your safety, please read the following instructions completely before operating this appliance.

Dear customer,

Before placing your new refrigerator/freezer into operation, please read these operating instructions carefully. They contain important information for safe use, for installation and for maintenance of the appliance. Please keep these operating instructions for future reference. Pass them on to possible new owners of the appliance.

Notes: which are important for your safety or for the proper functioning of the appliance, are stressed with a warning triangle and or with signal words (**Warning! Caution! Important!**). Please observe the following carefully.

1. SAFETY CAUTIONS

For your safety and correct usage, before installing and first using the appliance, read this user manual carefully, including its hints and warnings. To avoid unnecessary mistakes and accidents, it is important to make sure that all people using the appliance are thoroughly familiar with its operation and safety features. Save these instructions and be sure that they remain with the appliance if it is moved or sold, so that anyone using it throughout its life, will be properly informed on its usage and safety notices.

For the safety of life and property, keep the precautions of these user's instructions as the manufacturer is not responsible for damages caused by omission.

Safety for children and others who are vulnerable people

- This appliance can be used by children aged from 8 years and above and persons with reduced physical, sensory or mental capabilities or lack of experience and knowledge if they have been given supervision or instruction concerning use of the appliance in a safe way and understand the hazards involved.
- Children shall not play with the appliance. Cleaning and user maintenance shall not be made by children without supervision.
- Keep all packaging away from children as there is risk of suffocation.
- If you are discarding the appliance, pull the plug out of the socket, cut the connection cable (as close to the appliance as you can) and remove the door to prevent children playing from suffering an electric shock or from closing themselves inside it.
- If this appliance, featuring a magnetic door seal, is to replace an older appliance having a spring lock (latch) on the door or lid, be sure to make the spring lock unusable before you discard the old appliance. This will prevent it from becoming a death trap for a child.
- Keep the appliance and its power cable out of reach of children less than 8 years old.

General safety

WARNING — Do not store explosive substances such as aerosol cans with a flammable propellant in this appliance.

WARNING — If the supply cord is damaged, it must be replaced by the manufacturer, its service agent or similarly qualified persons in order to avoid a hazard.

WARNING —Keep ventilation openings, in the appliance enclosure or in the built-in structure, clear of obstruction.

WARNING — Do not use mechanical devices or other means to accelerate the defrosting process, other than those recommended by the manufacturer.

WARNING — Do not damage the refrigerant circuit.

WARNING — Do not use electrical appliances inside the beverage's storage compartments of the appliance, unless they are of the type recommended by the manufacturer.

WARNING — The refrigerant and insulation blowing gas are flammable. When disposing of the appliance, do so only at an authorized waste disposal center. Do not expose to flame.

Refrigerating fluid

The refrigerating circuit in the appliance uses refrigerating isobutene (R600a), which is a highly flammable natural gas and is therefore dangerous for the environment. When transporting or installing the appliance, ensure that no element of the refrigerating circuit is damaged. The refrigerating fluid (R600a) is inflammable.

Caution risk of fire

If the refrigerant circuit should be damaged:

- Avoid opening flames and sources of ignition.
- Thoroughly ventilate the room in which the appliance is situated.

It is dangerous to alter the specifications or modify this product in any way. Any damage to the cord may cause a short circuit, fire, and/or electric shock.

Electrical safety

- We cannot be held responsible for any incident caused by improper electrical installation.
- The power cord must not be extended. Do not use an extension cord, adapter or multiple sockets.
- Make sure that the power plug is not crushed or damaged. A crushed or damaged power plug may overheat and cause a fire.
- Make sure that you can access the main plug of the appliance.
- Do not pull the main cable.
- The power cord must not be lengthened.
- Never remove the ground connection.
- If the power plug socket is loose, do not insert the power plug. There is a risk of electric shock or fire.
- Make sure that you can access the main plug of the appliance.
- The fridge is only applied with power supply of single-phase alternating current of 220~240V/50Hz. If fluctuation of voltage in the district of user is so large that

the voltage exceeds the above scope, for safety's sake, be sure to apply A.C. Automatic voltage regulator of more than 350W to the fridge. The fridge must employ a special power socket instead of common one with other electric appliances. Its plug must match the socket with ground wire.

- If the power cable is damaged, do not replace it but contact your after-sales service.
- The power outlet must be easily accessible but out of the reach of children. If in doubt, contact your installer.
- When installing, be careful not to pinch or damage the cord.

Daily use

- Do not store flammable gas or liquids in the appliance. There is a risk of an explosion.
- Do not operate any electrical appliances in the appliance (e.g. electric ice cream makers, mixers etc.).
- When unplugging always pull the plug from the mains socket. do not pull on the cable.
- Do not expose the device to direct sunlight.
- Do not place hot items near the plastic components of this appliance.
- The appliances manufacture storage recommendations should be strictly adhered to. Refer to relevant instructions for storage.
- Maintain the flow of the low ventilation of the device.
- This appliance is intended exclusively for the storage of beverages.
- Do not place the appliance in direct sunlight.
- Keep burning candles jumps and other items with naked flames away from the appliance so that do not set the appliance on fire.
- The appliance is intended for keeping beverages in normal household as explained in this instruction booklet.
- The appliance is heavy. Care should be taken when moving it.
- Never use the base, drawers, doors etc. to stand on or as supports.

Care and cleaning

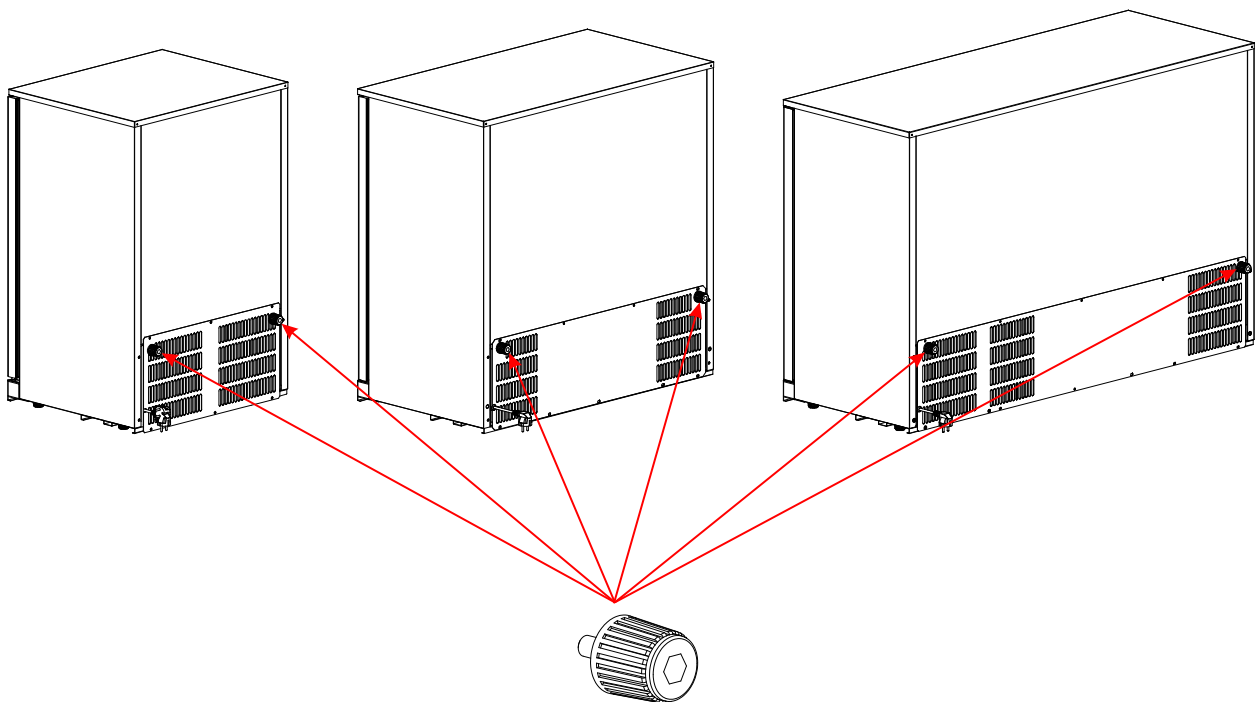
- Before maintenance, switch 0 the appliance and disconnect the mains plug from the mains socket.
- Do not clean the appliance with metal objects, steam cleaner, ethereal oils, organic solvents or abrasive cleansers.
- Do not use sharp objects to remove frost from the appliance. Use a plasticscraper.

Installation Important!

- For electrical connection, carefully, follow the instructions given in this manual.
- Unpack the appliance and check if there are damages on it. Do not connect the appliance if it is damaged. Report possible damages immediately to the place

you bought it. In this case retain packing.

- It is recommended to wait at least two hours before connecting the appliance to allow the oil to flow back in the compressor.
- Adequate air circulation should be around the appliance, lacking this leads to overheating. To achieve sufficient ventilation, follow the instructions relevant to installation. Wherever possible the back of the product should not be too close to a wall to avoid touching or catching warm parts (compressor, condenser) to prevent the risk of a fire, follow the instructions relevant to installation. Make sure that there is a clearance of 150 mm (15 cm) between the wall and the rear side of your cooler when you are bringing the product close to the wall.
- The appliance must not be locating close to radiators or cookers.
- Make sure that the mains plug is accessible after the installation of the appliance.
- Please assemble the accessories in the appointed position as below:



Energy Saving Tips

- The cooler should be located in the coolest area of the room, away from heat producing appliances or heating ducts, and out of direct sunlight.
- Let hot beverages cool to room temperature before placing in the cooler. Overloading the cooler forces the compressor to run longer.
- Organize and label beverages to reduce door openings and extended searches. Remove as many items as needed at one time, and close the door as soon as possible.
- Cooler storage bin should not be lined with aluminum foil, wax paper, or paper toweling. Liners interfere with cold air circulation, making the cooler less efficient.

Recommendation combination

The following combination of drawers, baskets, and shelves is recommended for energy to be used as efficiently as possible by the refrigeration unit.

Service

- Any electrical work required to do the servicing of the appliance should be carried out by qualified electrician or competent person.
- This product must be serviced by an authorized Service Center, and only genuine spare parts must be used.

Aesthetic and functional spare parts in accordance with REGULATION (EU) 2019/2024 (Annex II, point 2.), are available for after sales service network and end users for a maximum period of 8 years from the date of end of commercialization on the market of the last unit. The list of spare parts and the procedure for ordering them (professional access / end user access) are available on the following website: www.interfroidservices.fr or by post at the following address: Interfroid Services, 123 Route du Chêne - 72230 ARNAGE.

For other functional spare parts not specified in EU regulation 2019/2024, they are available for a period of 7 years.

The manufacturer's warranty is 1 year for functional parts.



R600a Safety instructions



Caution: Do not obstruct the ventilation grills on the appliance.



Caution: Do not store explosive substances, such as aerosol cans containing an inflammable propellant, in the appliance.



Caution: Do not damage the refrigerating circuit in the appliance.

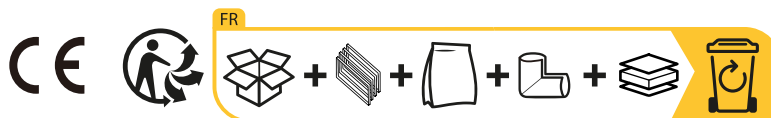


Caution: The refrigerating units use isobutane (R600a), and should not be placed close to ignition sources (for example, electrical contacts that are exposed or open contacts that could be closed by the refrigerating fluid in the event of a leak). The refrigerating fluid type is specified on the power cabinet identification plate.



Caution: Do not use electrical equipment in the compartments of the appliance, unless they are of the type recommended by the manufacturer.

These products are in compliance with European standard and directive and possible changes.



2. PRODUCT DESCRIPTION

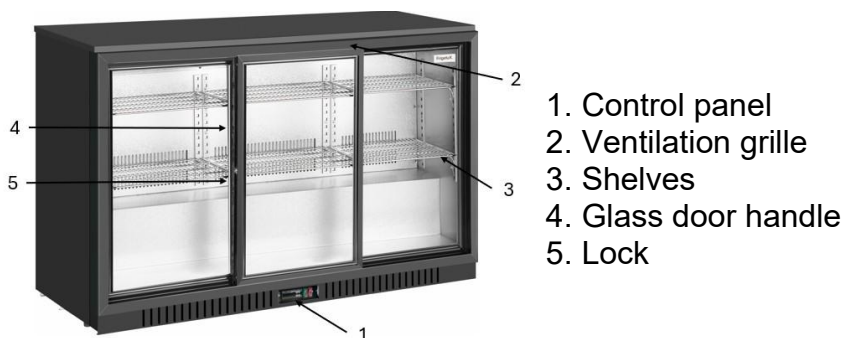
(AB110MIR– AB130MIR)



(AB211MIR)



(AB320MIR)



To find out more about your product, consult the online EPREL database. As defined in Commission Delegated Regulation (EU) 2019/2016, all information relating to this refrigeration appliance is available on the EPREL Base (European Product Database for energy labeling). This database enables you to consult the information and technical documentation of your refrigeration appliance. You can access the EPREL Database by scanning the QR code on the energy label of your appliance or by going directly to: www.ec.europa.eu and searching the reference of your refrigeration appliance.

3. INSTALLATION INSTRUCTIONS

➤ Before using your unit

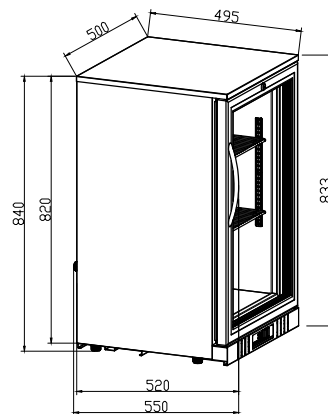
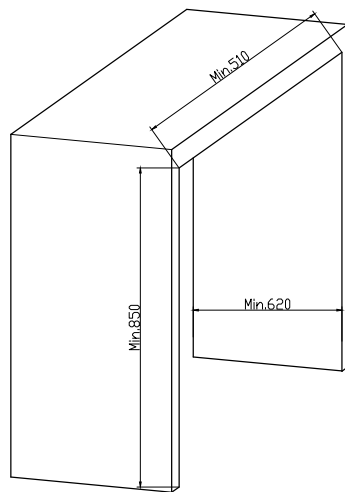
- Remove the exterior and interior packing.
- Carefully remove the appliance from the pallet, and make sure not to damage the appliance during the unloading.
- Unscrew the screw of the support located at the back of your device a sufficient length (about 5 cm) to be able to clip the provided wall spacer on it.
- Before connecting the unit to the power source, let it stand upright for approximately 2 hours. This will reduce the possibility of a malfunction in the cooling system from handling during transportation.
- Clean the interior surface with lukewarm water using a soft cloth.
- Check the condition of the power cable before connecting the appliance to a mains socket, if it is damaged, do not replace it but contact your after-sales service. Connect the device to a main socket after having checked that the wall socket is not damaged.

Note: Do not move unit by lifting either the door or door handle as this may cause damage to the cabinet.

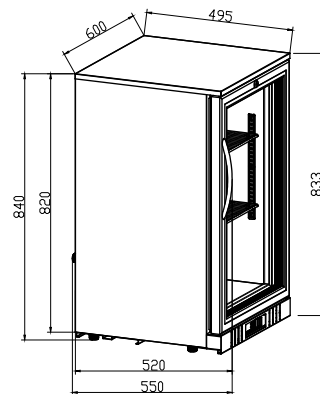
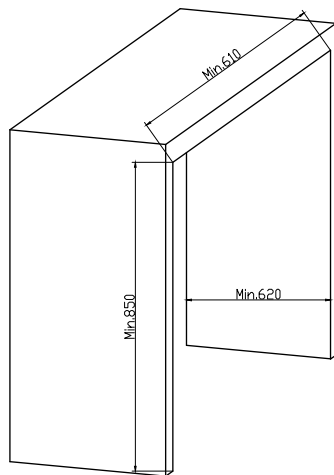
➤ Installation of your unit

- Place your appliance on surface able to support the device once it is fully charged. To level your device, adjust the adjustable feet under the cooler.
- Please respect the necessary dimensions when you install the back bar:

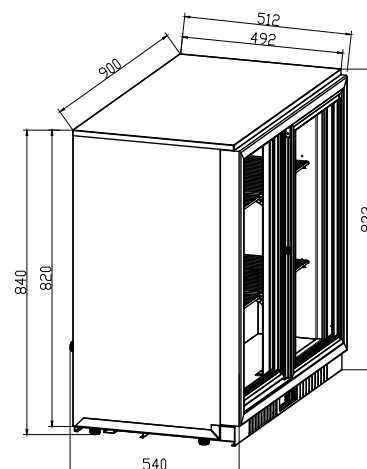
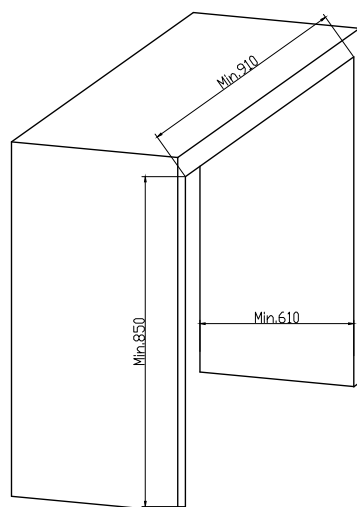
AB110MIR



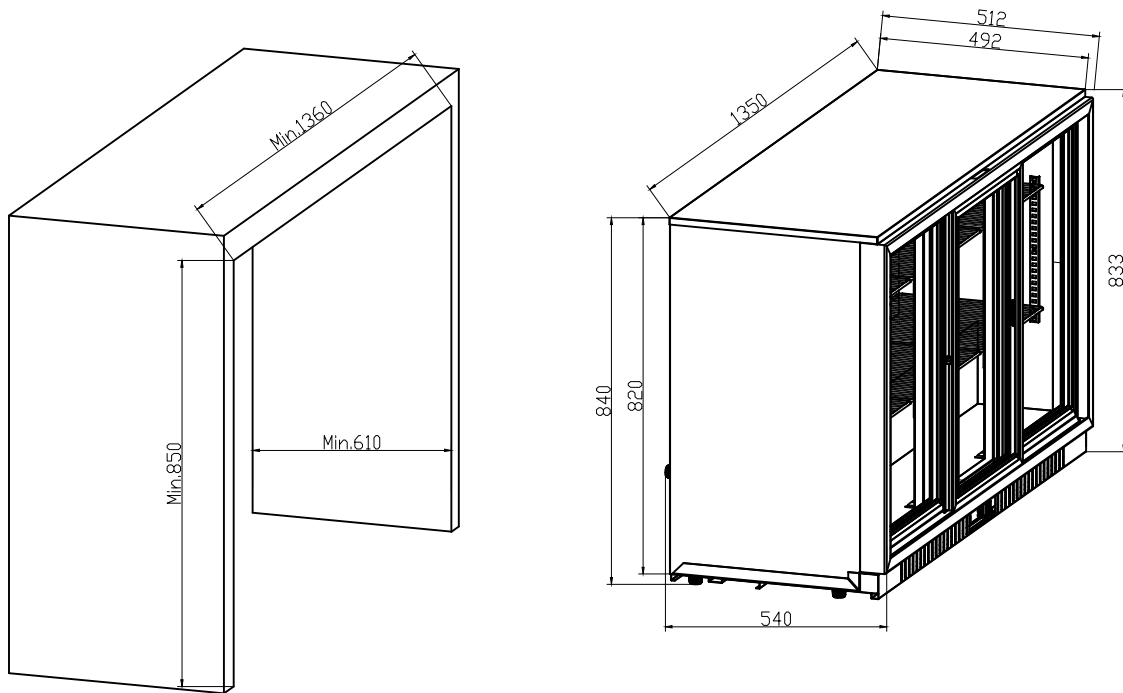
AB130MIR



AB211MIR



AB320MIR



Attention! Poor ventilation due to insufficient aperture size is likely to cause reduced cooling; Icing up; Premature compressor failure.

- An average ambient temperature must be observed. This temperature is specific according to the climatic class of the device:

Climatic class	Maximum ambient temperature	Maximum ambient humidity
CC1	25°C	60%
CC2	32°C	65%
CC3	40°C	75%
CC4	30°C	55%

Your appliance is of climate class CC1 (maximum temperature and humidity are equal to +25°C and 60% ambient humidity). This climatic class is indicated on the rating label located inside your back counter (class 4).

- Locate the unit away from direct sunlight and sources of heat (stove, heater, radiator, etc.). Direct sunlight may affect the acrylic coating and heat sources may increase electrical consumption. Extreme cold ambient temperatures may also cause the unit not to perform properly.
- Avoid locating the unit in moist areas. Too much moisture in the air will cause frost to form quickly on the interior surface requiring more frequent defrosting of the unit.
- Plug the unit into an exclusive properly installed-grounded wall outlet. Do not under any

circumstances cut or remove the third (ground) prong from the power cord. Any questions concerning power and/or grounding should be directed toward a certified electrician or an authorized Avanti Products service center.

4. USE INSTRUCTIONS

➤ Setting the temperature control

First use

- The cabinet door should remain firmly closed during normal operation. This prevents warm moist air entering and creating frost within the cabinet. If the cabinet is left open for extended periods ice will form. This will prevent cooling and the machine will then require defrosting.
- The unit should be left switched on, and should not be switched off between trading sessions. The unit is designed to operate in an ambient temperature of max 25°C. The cabinet is designed to chill product unsealed containers only i.e. bottles, cans etc. It is not recommended that glasses of drink or similar are placed in the unit for cooling
- Since the temperature is nearly the same as the ambient temperature when the appliance operates for the first time. In generally, it takes 2 hours to enable the temperature inside to reach such one, which can stop motor running automatically.
- After working for 2 hours with the reference of the following instructions, adjust the temperaturecontrol to a suitable position and close the door, then the appliance can come to normal work. (Thermostat controls compressor to stop and start automatically).

➤ The thermostat :

Plug the device into an electrical outlet, the device must operate with a functional and compliant power source.

The control panel allows you to adjust the temperature of the device between 0 and 10°C.



1a. Temperature adjustment button, press and hold for 3 to 4 seconds until the indication “St” appears to enter the adjustment mode. Press the button again to adjust the temperature of the device. After 30 seconds of inaction, the new set temperature is automatically saved.

1b. Button to increase the set temperature by 1°C

1 C. Button to decrease the set temperature by 1°C

1d. Defrost button also allows you to confirm the programmed settings and exit “set” mode.

NB: A defrost cycle starts automatically every 6 hours.

Submenu:

“set”:

- **ON:** in adjustment mode
- **OFF:** operation according to the set conditions.

“out”:

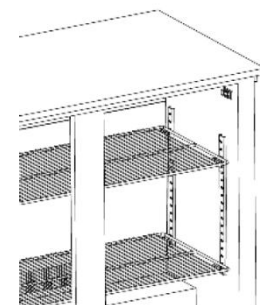
- **ON:** Compressor and cooling in operation
- **OFF:** Compressor and cooling stopped
- **FLASH:** Cooling in progress

“C”:

- **ON:** refrigeration process in progress

“def”:

- **ON:** defrosting process in progress



The interior switch completes these features and allows you to turn the lighting on or off.

Note:

1. Always let the appliance reach the set temperature before placing beverages inside the appliance.
2. Do not leave the door open for too long so that the indoor temperature does not rise too much.
3. Wait at least 5 minutes before plugging in again after unplugging the appliance or a sudden power break.

Functions:

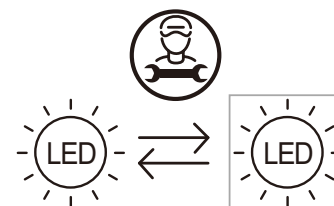
➤ Storage of beverages

This back counter is intended exclusively for the storage of non-perishable packaged beverages. We remind you that the storage of foodstuffs must comply with regulatory storage temperatures established by the National Agency for Food, Environmental and Occupational Health and Safety (ANSES). Failure to respect these storage temperatures involves risks of poisoning and food waste.

➤ Change the lamp

This appliance consists of light-emitting diodes (LEDs).

This type of diode cannot be changed by the consumer. The lifetime of these LEDs is normally sufficient for no change to be made. If however, and despite all the care taken during the manufacture of your appliance, the LEDs were defective, please contact your after-sales service for any intervention.



5. CARE AND MAINTENANCE

➤ Cleaning and defrosting your unit

Your cooler is devised with an automatic defrosting system. Defrost water accumulates in the channel underneath the evaporator. It is then carried to the drip tray by the help of a hose where it evaporates.

However, after the cooler working for some time, frost will form on the surface of the evaporator. The thicker the frost is, the hotter resistance is. The hot resistance will reduce the effect of the

refrigerant. Please defrost, when the frost is thicker than 5mm.

- Please set the light switch to “1” and disconnect the power supply before defrosting the cooler.
- Use only moist cloth. use only mild soapy water.
- Open the door, and take out the beverages. Knock the frost gently. Wait until the defrost water is drained. Please clean with soft cloth dipping with warm water or neutral soap liquid. Be sure to wipe with pure water after using neutral soap liquid.
- Clean the door seal with water only.
- Never allow the switch, control panel, cable or plug to get wet.
- Never attempt to scrape/remove ice/frost with sharp objects (such as knives, shovels, etc.). Or the evaporator will be broken down.
- Wipe well with a soft cloth.
- After defrosting, connect the cooler to the power supply and wait 2 hours before filling it again.

CAUTION

Failure to unplug the unit could result in electrical shock or personal injury.

- In order to optimize the energy consumption of your appliance, it is recommended to dust the condenser located at the backside of your device.

➤ **Power failure**

Most power failures are corrected within a few hours and should not affect the temperature of your unit if you minimize the number of times the door is opened. If the power is going to be 0 for a longer period of time, you need to take the proper steps to protect your beverages.

➤ **Moving your unit**

- Switch off the light.
- Unplug your appliance.
- Remove all the beverage.
- Tape the door shut.
- Be sure the unit stays in the upright position during transportation.

6. PROBLEMS AND SOLUTIONS

You can solve many common unit problems easily, saving you the cost of a possible service call. Try the suggestions below to see if you can solve the problem before calling the servicer

Problem	Possible cause	Suggested solution
The appliance is not working	The unit is not switched on	Check the unit is plugged in correctly
	Plug and lead are damaged	Call your agent or qualified technician
	Is the back counter well connected to the electrical network?	Make sure the back counter is plugged into a working electrical outlet.

	Fuse in the plug has blown	Call your agent or qualified technician
	Internal wiring fault	Call your agent or qualified technician
The appliance turns on, but the temperature is too high low	Too much ice on the evaporator	Defrost the appliance
	Condenser blocked with dust	Call your agent or qualified technician
	Doors are not properly	Check doors are shut and seals are not damaged
	Appliance is located near a heat source or air flow to the condenser is being interrupted	Move the refrigerator to a more suitable location
	Ambient temperature is too high	Increase ventilation or move appliance to a cooler position
	Appliance is overloaded	Reduce the number of beverages in the appliance
The appliance is unusually loud	Loose nut/ screw	Check and tighten all nuts and screws
	The appliance has not been installed in a level or stable position	Check installation position and change if necessary
The appliance is leaking water	The appliance is not properly leveled	Adjust the screw feet to level the appliance
	The discharge outlet is blocked	Clear the discharge outlet
	The water container is damaged	Call your agent or qualified technician
If problems still cannot be solved, please ask for help from the service center or dealer.		

7. ENVIRONMENT

This appliance is marked according to the European directive 2019/290/CE on Waste Electrical and Electronic Equipment (WEEE). By ensuring this product is disposed of correctly, you will help prevent potential negative consequences for the environment and human health, which could otherwise be caused by inappropriate waste handling of this product.



The symbol on the product, or on the documents accompanying the product, the Crossed-Out Wheelie Bin, indicates that this appliance may not be treated as household waste. Instead it shall be handed over to the applicable collection point for the recycling of electrical and electronic equipment, or, if you are buying an equivalent product, to the retailer of the new product.

The user is responsible for taking the appliance to the appropriate collection center at the end of its useful life. Selective and appropriate collection for the recycling of no longer used appliances and their

disposal and destruction in an environmentally friendly manner, helps to prevent potential negative effects on the environment and health, and encourages the recycling of materials used to make the product.

For more detailed information about treatment, recovery and recycling of this product, please contact your local authority, your household waste disposal service or the retailer where you purchased the product.

8. WARNING

As we continuously improve our products for the benefit of our customers, we reserve the right to modify technical characteristics without notice.

Warranties for FRIGELUX brand products are offered exclusively by selected retailers. No part of these instructions may be considered as a supplementary guarantee.

FRIO ENTREPRISE cannot be held liable for errors or technical or editorial omissions in this document.

Non-binding document.

Your Economic Operator Contact is:

FRIO ENTREPRISE
143 Boulevard Pierre Lefauchaux
72230 ARNAGE
Tel : 02 43 21 69 80
Email : Operateur@groupefrio.com