


**AVI98C3ZI**  
**3-compartments service wine cabinet**  
**Built-in column range**



Model with full glass door and black handle

- + Capacity: 97 bottles\*
- + Vinotag compatible\*\* 
- + Built-in column
- + Design: black body & anthracite coal-grey glass door frame
- + Cooling system: compressor
- + Type of cold: air moving system
- + Adjustable temperature ranges of use:
  - upper part: 5°-20°C
  - middle part: 5°-10°C
  - lower part: 10°-20°C
- + Electronic regulation
- + Thermometer with white electronic display
- + White LED lights with switch button
- + Humidity control: water tray
- + 1 reversible glass door, anti-UV treated, 2-layers tempered glass (brown colored)

*Big format **3-compartments built-in** wine cellar: 174,5cm (built-in height).*

*A **presentation shelf** allows you to present up to 5 bottles.*

*\*Capacity given as an indication without presentation shelf. Adding shelves reduces considerably the total capacity.*



**Eco-responsibility**

Our products are manufactured in compliance with European environmental rules. Especially, refrigerant fluid (R600a) doesn't reject neither CFC nor HFC and respect environment.

Energy consumption is calculated based on the result obtained for 24h in standard test conditions. The actual energy consumption depends on the conditions of use and location of the device.

This equipment is designed to be used in an ambient temperature between 16-32°C.

This appliance is intended to be used exclusively for the storage of wine.

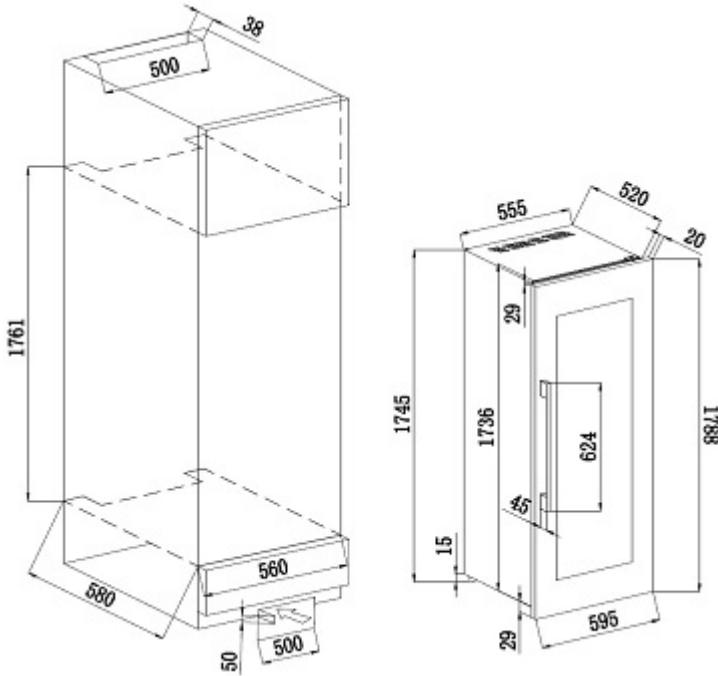
Alcohol abuse is dangerous for health, please consume in moderation.

\*Capacity given as an indication with 75cl Bordeaux traditional type bottles and measured with 10 shelves. Adding shelves reduce considerably the total capacity.

\*\*Thanks to the Vinotag® application, benefit from a digital register of your wine cellar and be alerted of the peak dates of your wines. In partnership with Vivino, scan your bottle to access its pre-filled wine sheet.



**AVI98C3ZI**  
**3-compartments service wine cabinet**  
**Built-in column range**



> **EQUIPMENTS INCLUDED**

- 9 sliding wooden shelves (beech), wooden front
- 1 sliding wooden presentation shelf (beech), wooden front
- 4 adjustable feet (height 3 cm)
- Anti-vibration system

> **TECHNICAL CHARACTERISTICS**

- Old energy class: B
- Annual electrical consumption: 216 kWh
- Climatic class: N
- Noise level: 45 dB
- Voltage: 220-240 V
- Power input: 165 W
- Category: 2 - Wine cellar
- Type of gas: R600a

> **COMPATIBLE ACCESSORIES**

Only available in spare parts

> **LOGISTIC DATAS**

Gross dimensions (WxDxH cm)	: 65,5 x 66 x 186,5
Net dimensions (WxDxH cm)	: 59,5 x 54 x 178,8
Gross weight (kg)	: 116.00
Net weight (kg)	: 106.00
Full truck (pcs)	: 60
Container (pcs)	20' : 24
	40' : 54
	40' HC : 54

Gencod 3595320105919