



## AVU8S82

Wine Cellar service



Built-under counter

### GENERAL INFORMATION

**Number of bottles : 8**

**Number of zones : 1**

**Adjustable temperature range : 5-20°C**

**Noise level : 37dB**

**Energy class : F**

**Climate class : SN/ST (10-38)**

**Vinotag compatible : Yes**

## Product description

### Built-in Under-Counter Wine Cellar: Optimal Tasting and Long-Lasting Preservation

This built-in wine cellar, just 15 cm wide, features a discreet handle and removable ventilation grille, designed to simplify installation and showcase your bottles beautifully.

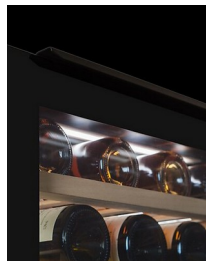
With this cellar, you can store two bottles in an upright position—perfect for preserving already opened bottles.

This reference can hold 8 burgundy bottles.



### A 15 CM FORMAT WITH 8 BOTTLES

With an additional position at the front of the wine cellar, for a vertical bottle. Wide bottle



### DISCREET HANDLES UNDER THE WORKTOP

The discreet handle to blend perfectly into any kitchen



### REVERSIBLE DOOR

Adapt the opening of the door to easily install the cellar in the location of your choice



### VINOTAG COMPATIBLE

Free wine cellar management application. Access a virtual representation of your cellar

# AVU8S82

EAN-13 - 3595320108125

## Capacity and Temperature

- **Number of bottles: 8**
- **Adjustable temperature: 5-20°C**

## Door

**Door color :** Black  
**Number of glass layers :** 3  
**Anti-UV :** Yes  
**Low-e glass :** Yes  
**Tempered glass :** Yes  
**Reversible door :** Yes  
**Handle type :** Discreet handle under counter

## Security

**Alarm :** Temperature

## Logistic

**Net dimensions (WxDxH):** 14.5 x 54.0 x 82.0  
**Gross dimensions (WxDxH):** 19.2 x 59.5 x 88.5  
**Net weight (kg) :** 19.5  
**Gross weight (kg) :** 22.7

## Technical Data

**Energy class :** F  
**Annual energy (KWh/a) :** 97  
**Climate class :** SN/ST (10-38)  
**Noise level :** 37dB / C  
**Energy Efficiency Index :** 124 %  
**Power input :** 70.00 W  
**Voltage :** 220-240 V  
**Length of power cable :** 180 cm  
**Plug Type :** E type  
**Type of gas :** R600a  
**Gas charge :** 10 g  
**Mainly recyclable product :** Yes  
**Main cooling system :** Air moving system  
**Anti-vibration system :** Yes  
**Adjustable feet :** 4 / 6 cm

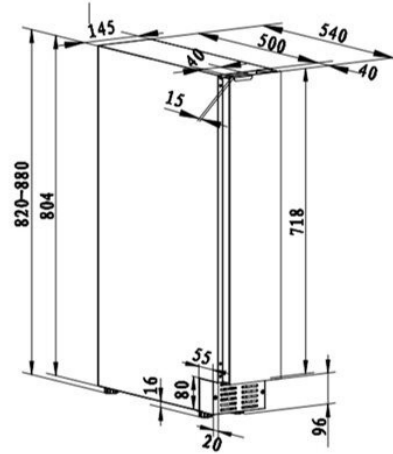
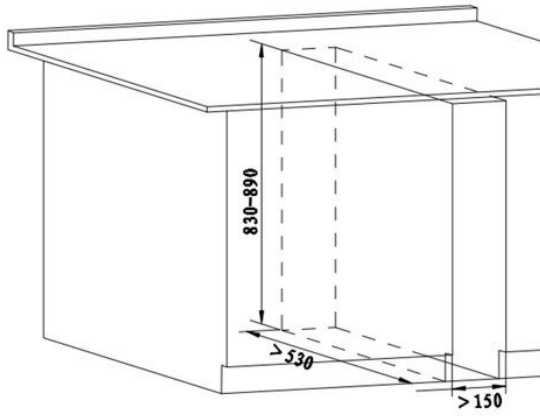
## Light

**Light source :** LED  
**Light color(s) :** White  
**Dimmable light :** no  
**Light switch :** yes  
**Permanent light option :** Yes

**Qty per 20' :** 270  
**Qty per 40' :** 572  
**Qty per 40 HC :** 718  
**Customs code:** 84185019

# AVU8S82

EAN-13 - 3595320108125



## Accessories

- 6 fixed supports, pvc

## Built-in information

**Built-in dimensions (WxDxH) :** 15.00 x 53.00 x 83.00

**Recessed plinth :** Yes /

**Plinth height :** 8.00

**Removable plinth :** Yes / 5.50

