

# Frigelux®

## CBNF177BI

### Combined fridge & freezer

### Built-in installation



- + **Gross volume: 250 L**
- + **Global net volume: 236 L**
  - **Fridge: 168 L**
  - **Freezer: 68 L**
- + **New Energy Class: D**
- + **Type of cold: ventilated (no-frost)**
- + **Fast freezinge function**
- + **Freezing capacity (kg/24 h): 3,5 kg/24 h**
- + **Rising time: 15 h**
- + **Thermometer with white digital display**
- + **White LED lights**
- + **Defrost:**
  - **Fridge: automatic**
  - **Freezer: automatic**
- + **2 reversible plain doors, integrated handles**
- + **Electronic thermostat**

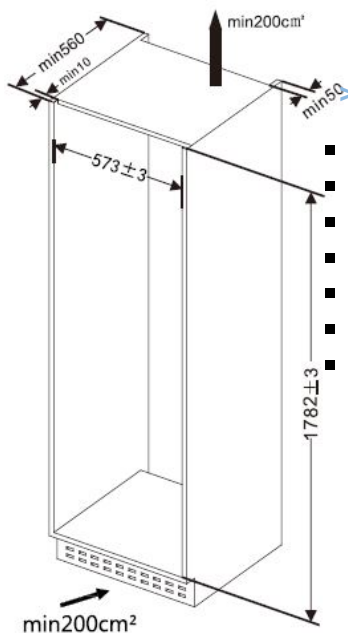
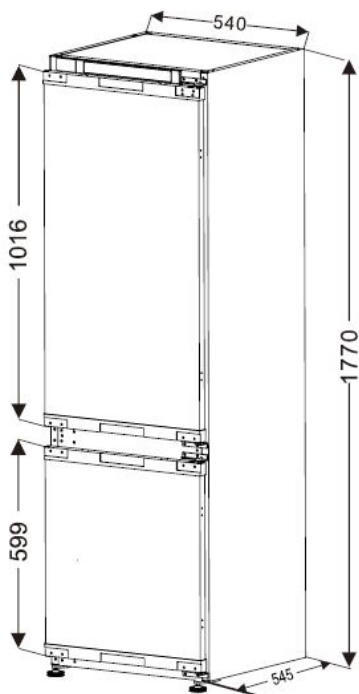


## Eco-responsibility

Our products are manufactured in compliance with European environmental rules. Especially, refrigerant fluid (R600a) doesn't reject neither CFC nor HFC and respect environment.

#### > EQUIPMENTS INCLUDED

- Fridge :
  - 4 glass shelves
  - 1 vegetable drawer shelf
  - 1 vegetable drawer
  - 3 balconnies
  - 1 egg tray
- Freezer :
  - 3 drawers
- 2 adjustable feet
- Audible "door open" alarm



#### > TECHNICAL CHARACTERISTICS

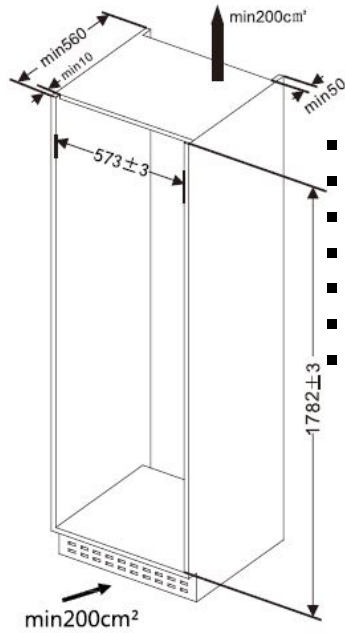
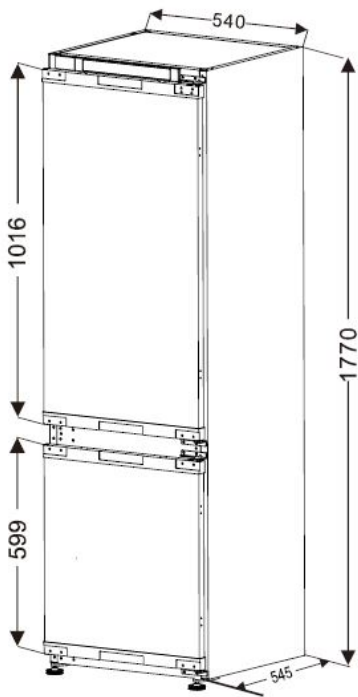
- Annual electrical consumption: 180 kWh
- Climate class: SN-T (10°C - 43°C)
- Noise level: 39 dB
- Voltage: 220-240 V
- Power input: 180 W
- Category: 7 - Fridge-freezer
- Type of gas: R600a

#### > LOGISTIC DATAS

Gross dimensions (WxDxH cm)	: 58 x 58 x 181
Net dimensions (WxDxH cm)	: 54 x 54,5 x 177
Gross weight (kg)	: 62.00
Net weight (kg)	: 56.00
Full truck (pcs)	: 0
Container (pcs)	20' : 40
	40' : 0
	40' HC : 105

Gencod

3541362403056



- shelf
- 1 vegetable drawer
- 3 balconies
- 1 egg tray
- Freezer :
- 3 drawers
- 2 adjustable feet
- Audible "door open" alarm
- TECHNICAL CHARACTERISTICS
- Annual electrical consumption: 180 kWh
- Climate class: SN-T (10° C - 43°C)
- Noise level: 39 dB
- Voltage: 220-240 V
- Power input: 180 W
- Category: 7 - Fridge-freezer
- Type of gas: R600a

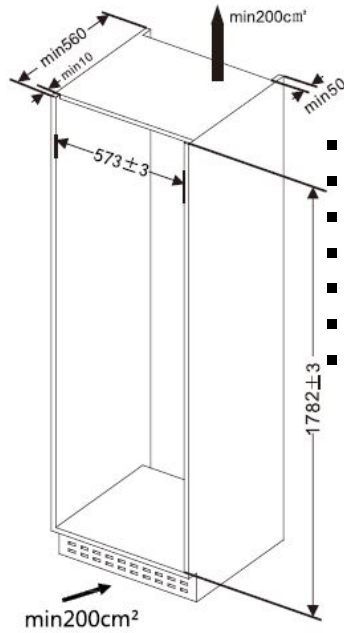
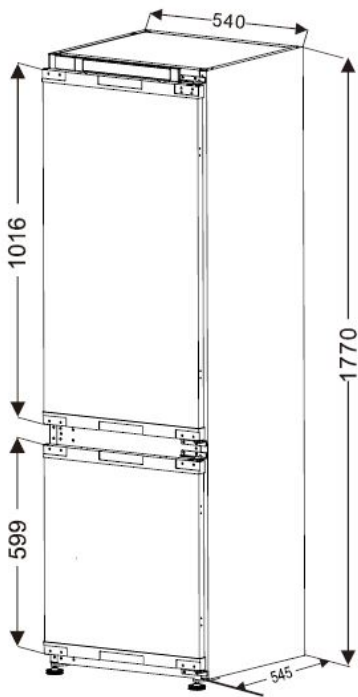
> LOGISTIC DATAS

Gross dimensions (WxDxH cm)	: 58 x 58 x 181
Net dimensions (WxDxH cm)	: 54 x 54,5 x 177
Gross weight (kg)	: 62.00
Net weight (kg)	: 56.00
Full truck (pcs)	: 0
Container (pcs)	20' : 40
	40' : 0
	40' HC : 105

Gencod

3541362403056

Non-contractual pictures  
Last update: 28/03/2024



- shelf
- 1 vegetable drawer
- 3 balconnies
- 1 egg tray
- Freezer :
- 3 drawers
- 2 adjustable feet
- Audible "door open" alarm
- TECHNICAL CHARACTERISTICS
- Annual electrical consumption: 180 kWh
- Climate class: SN-T (10° C - 43°C)
- Noise level: 39 dB
- Voltage: 220-240 V
- Power input: 180 W
- Category: 7 - Fridge-freezer
- Type of gas: R600a

### > LOGISTIC DATAS

Gross dimensions (WxDxH cm)	: 58 x 58 x 181
Net dimensions (WxDxH cm)	: 54 x 54,5 x 177
Gross weight (kg)	: 62.00
Net weight (kg)	: 56.00
Full truck (pcs)	: 0
Container (pcs)	20' : 40
	40' : 0
	40' HC : 105

Gencod

3541362403056

Non-contractual pictures  
Last update: 28/03/2024

