

## CLX30DB



Ageing and Service Wine Cellar  
Classique series  
Built-under counter



### GENERAL INFORMATION

**Number of bottles : 16**  
**Number of zones : 2**  
**Adjustable temperature range : 5-20°C**  
**Noise level : 38dB**  
**Energy class : G**  
**Vinotag compatible : Yes**

### Product description

#### Made for wine enthusiasts at all levels!

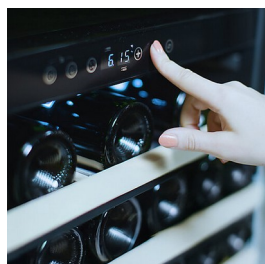
Designed to express the essence of Temptech's commitment to quality and innovation, the Classique range offers an accessible entry point into the world of premium wine storage.

This model is designed with ventilation in the front base for installment in niches.



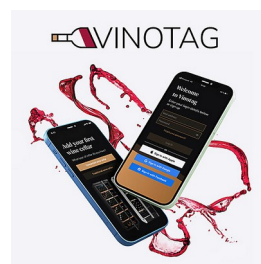
#### Removable plinth

Removable ventilation base for integrating behind the kitchens plinth.



#### Touch panel & digital display

Easy and intuitive control of temperature and lighting.



#### Vinotag compatible

View and manage your wine collection on the go with the Vinotag-application.

# CLX30DB

EAN-13 - 7073437000021

## Capacity and Temperature

- **Number of bottles: 16**
  - Upper zone : 6
  - Lower zone : 10
- **Adjustable temperature: 5-20°C**
  - Upper zone : 5-12°C
  - Lower zone : 12-20°C

## Door

**Door color :** Black  
**Door glass color :** Grey  
**Number of glass layers :** 2  
**Anti-UV :** Yes  
**Tempered glass :** Yes  
**Lock :** No  
**Reversible door :** Yes  
**Handle type :** Pulling bar  
**Door dimensions (WxDxH) :** 28.8x3.5x71.5

## Security

## Logistic

**Net dimensions (WxDxH):** 29.5 x 55.5 x 86.5  
**Gross dimensions (WxDxH):** 33.5 x 63.5 x 92.0  
**Net weight (kg) :** 32.0  
**Gross weight (kg) :** 34.0

## Technical Data

**Energy class :** G  
**Annual energy (KWh/a) :** 135  
**Noise level :** 38dB /  
**Power input :** 88.00 W  
**Voltage :** 220-240 V  
**Length of power cable :** 150 cm  
**Plug Type :** F type  
**Type of gas :** R600a  
**Gas charge :** 19 g  
**Type of compressor :** Embraco  
**Main cooling system :** Air moving system  
**Anti-vibration system :** Yes  
**Adjustable feet :** 4 / 3.5 cm

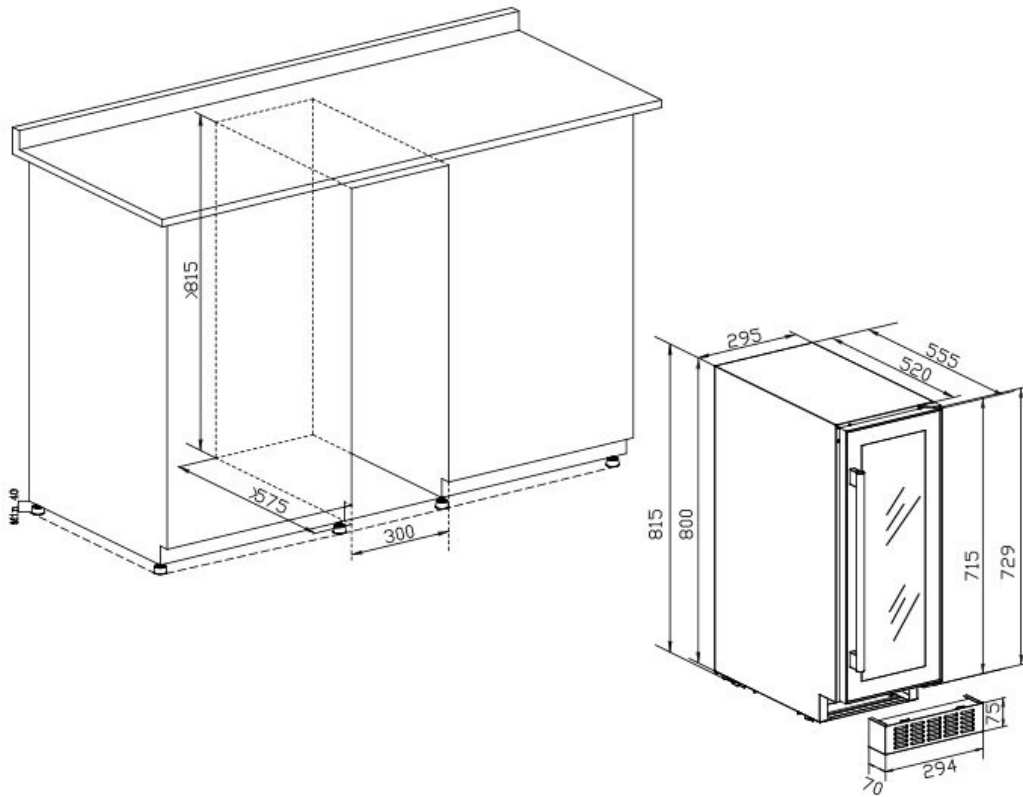
## Light

**Light source :** LED  
**Light color(s) :** White  
**Dimmable light :** no  
**Light switch :** no

**Qtty per 20' :** 147  
**Qtty per 40' :** 311  
**Qtty per 40 HC :** 356  
**Customs code :**

# CLX30DB

EAN-13 - 7073437000021



## Accessories

- 4 shelves, wooden, sliding, rails
- 1 half shelf, wooden with natural wood front
- 1 charcoal filter, (FILTRE7)

## Built-in information

**Built-in dimensions (WxDxH) :** 29.50 x 55.50 x 81.50

**Removable plinth :** Yes /