

Frigelux®



D46NV

D115NV

Beverage cooler

All models with mechanical thermostat

This product is only for the preservation/storage of beverages

BEFORE USE, PLEASE READ AND FOLLOW ALL SAFETY RULES AND OPERATING INSTRUCTION.

Dear customer,

Before placing your new showcase into operation, please read these operating instructions carefully. They contain important information for safe use, for installation and for maintenance of the appliance. Please keep these operating instructions for future reference. Pass them on to possible new owners of the appliance.

*Notes: which are important for your safety or for the proper functioning of the appliance, are stressed with a warning triangle and or with signal words (**Warning! Caution! Important!**). Please observe the following carefully.*

1. GENERAL SAFETY INSTRUCTIONS

For your own safety and for the proper utilisation of the appliance, read this manual carefully, including the warnings and recommendations, before installing the appliance and using it for the first time. In order to avoid damage to the appliance and/or personal injury, persons using the appliance should be fully familiar with its operation and safety functions. Keep these recommendations close to the appliance, for future reference, and ensure that the document is transferred with the appliance if it is sold or in the case of moving. This will ensure optimum operation of the appliance.

To avoid any risk of injury, keep this manual. The manufacturer declines any liability whatsoever in the case of operating/handling errors concerning the appliance.

Safety of children and other vulnerable persons

- This appliance may be used by children aged 8 years and above, and by persons who are physically, sensorially or mentally handicapped, or who have not learned to use the appliance, providing they are supervised by a person familiar with the appliance and who is aware of the risks involved. Children should not be allowed to play with the appliance. User cleaning and servicing operations should not be carried out by children, unless they are more than 8 years old and are supervised.
- Children shall not play with the appliance. Cleaning and user maintenance shall not be made by children without supervision.
- Keep all packaging out of the reach of children, as there is a risk of suffocation.
- If you decide to scrap the appliance, disconnect it from the wall socket, cut the connection cable (as close to the appliance as possible) and remove the door, in order to prevent children playing with it, with the resulting risk of electric shock or being trapped inside.
- If an appliance with a magnetic door seal is being replaced by another appliance with a latch on the door or on the seal, ensure that the latch is disabled before selling or scrapping the old appliance. This will prevent the appliance from being transformed into a trap for children.
- Keep the appliance and its power cable out of reach of children less than 8 years old.

General safety

WARNING — Do not store explosive substances such as aerosol cans with a flammable propellant in this appliance.

WARNING — If the supply cord is damaged, it must be replaced by the manufacturer, its service agent or similarly qualified persons in order to avoid a hazard.

WARNING — Keep ventilation openings, in the appliance enclosure or in the built-in structure, clear of obstruction.

WARNING — Do not use mechanical devices or other means to accelerate the defrosting process, other than those recommended by the manufacturer.

WARNING — Do not damage the refrigerant circuit.

WARNING — Do not use electrical appliances inside the beverages' storage compartments of the appliance, unless they are of the type recommended by the manufacturer.

WARNING — The refrigerant and insulation blowing gas are flammable. When disposing of the appliance, do so only at an authorized waste disposal center. Do not expose to flame.

Refrigerating fluid

The refrigerating circuit in the appliance uses refrigerating isobutane (R600a), which is a highly inflammable natural gas and is therefore dangerous for the environment. When transporting or installing the appliance, ensure that no element of the refrigerating circuit is damaged. The refrigerating fluid (R600a) is inflammable.

Caution: Fire risk

If the refrigerating circuit is damaged:

- Avoid open flames or any source of combustion.
- Ensure that the room in which the appliance is installed is well ventilated.

It is dangerous to alter the specifications or modify this product in any way. Any damage to the cord may cause a short circuit, fire, and/or electric shock.

Electrical safety

- We cannot be held responsible for any incident caused by improper electrical installation.
- The power cord must not be extended. Do not use an extension cord, adapter or multiple sockets.
- Make sure that the power plug is not crushed or damaged. A crushed or damaged power plug may overheat and cause a fire.
- Make sure that you can access the main plug of the appliance.
- Do not pull the main cable.
- The power cord must not be lengthened.
- Never remove the ground connection.
- If the power plug socket is loose, do not insert the power plug. There is a risk of electric shock or fire.

- Make sure that you can access the main plug of the appliance.
- The fridge is only applied with power supply of single-phase alternating current of 220~240V/50Hz. If fluctuation of voltage in the district of user is so large that the voltage exceeds the above scope, for safety's sake, be sure to apply A.C.
- If the power cable is damaged, do not replace it but contact your after-sales service.
- The power outlet must be easily accessible but out of the reach of children. If in doubt, contact your installer.
- When installing, be careful not to pinch or damage the cord.

Daily utilisation

- Do not store flammable gas or liquids in the appliance. There is a risk of an explosion.
- Do not operate any electrical appliances in the appliance (e.g. electric ice cream makers, mixers etc.).
- When unplugging always pull the plug from the mains socket. do not pull on the cable.
- Do not expose the device to direct sunlight.
- Do not place hot items near the plastic components of this appliance.
- The appliances manufacture storage recommendations should be strictly adhered to. Refer to relevant instructions for storage.
- This refrigerating appliance is not intended to be used as a built-in appliance.
- Do not place the appliance in direct sunlight.
- Keep burning candles jumps and other items with naked flames away from the appliance so that do not set the appliance on fire.
- The appliance is intended for keeping beverages in normal household as explained in this instruction booklet.
- The appliance is heavy. Care should be taken when moving it.
- Never use the base, drawers, doors etc. to stand on or as supports.

Caution! Cleaning and servicing

- Before carrying out servicing, switch off the power supply and disconnect the appliance.
- When cleaning the appliance, do not use metal objects, steam systems, volatile fluids, organic solvents, or abrasive substances.
- Do not use sharp or pointed objects to remove ice. Use a plastic scraper.

Important information concerning installation!

- For electrical connection, carefully, follow the instructions given in this manual.
- Unpack the appliance and check if there are damages on it. Do not connect the appliance if it is damaged. Report possible damages immediately to the place you bought it. In this case retain packing.

- It is advisable to wait at least two hours before connecting the appliance to allow the oil to flow back in the compressor.
- Adequate air circulation should be around the appliance, lacking this leads to overheating. To achieve sufficient ventilation, follow the instructions relevant to installation. Wherever possible the back of the product should not be too close to a wall to avoid touching or catching warm parts (compressor, condenser) to prevent the risk of a fire, follow the instructions relevant to installation. Make sure that there is a clearance of 150 mm (15 cm) between the wall and the rear side of your cooler when you are bringing the product close to the wall.
- The appliance must not be locating close to radiators or cookers.
- Make sure that the mains plug is accessible after the installation of the appliance.

POWER SAVING

- The cooler should be located in the coolest area of the room, away from heat producing appliances or heating ducts, and out of direct sunlight.
- Let hot beverages cool to room temperature before placing in the cooler. Overloading the cooler forces the compressor to run longer.
- Organize and label beverages to reduce door openings and extended searches. Remove as many items as needed at one time, and close the door as soon as possible.
- Cooler storage bin should not be lined with aluminum foil, wax paper, or paper toweling. Liners interfere with cold air circulation, making the cooler less efficient.

Recommendation combination:

The following combination of drawers, baskets, and shelves is recommended for energy to be used as efficiently as possible by the refrigeration unit.

Trouble shooting and spare parts

- **Any electrical work should be carried out by a qualified and skilled technician.**
- The appliance should be repaired by an accredited repair centre, using only manufacturer's original spare parts.

The appliance is designed for home use only. The manufacturer declines any liability whatsoever in the case of another utilisation.

Aesthetic and functional spare parts in accordance with REGULATION (EU) 2019/2019 (Annex II, point 3.), are available for after sales service network and end users for a maximum period of 7 or 10 years (List on Annex II, point 3.a.1 et 3.a.2) from the date of end of commercialisation on the market of the last unit. The list of spare parts and the procedure for ordering them (professional access / end user access) are available on the following website: www.interfroidservices.fr or by post at the following address: Interfroid Services, 123 Route du Chêne - 72230 ARNAGE - 72230 ARNAGE.

For other functional spare parts not specified in EU regulation 2019/2019, they are available for a period of 7 years.

The manufacturer's warranty is 1 year for functional parts.



R600a

Safety instructions



Caution: Do not obstruct the ventilation grills on the appliance.



Caution: Do not store explosive substances, such as aerosol cans containing an inflammable propellant, in



Caution: Do not damage the refrigerating circuit in the appliance.

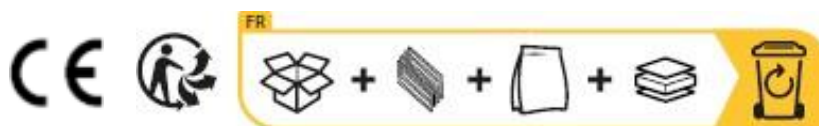


Caution: The refrigerating units use isobutane (R600a) and should not be placed close to ignition sources (for example, electrical contacts that are exposed or open contacts that could be closed by the refrigerating fluid in the event of a leak). The refrigerating fluid type is specified on the power cabinet identification.



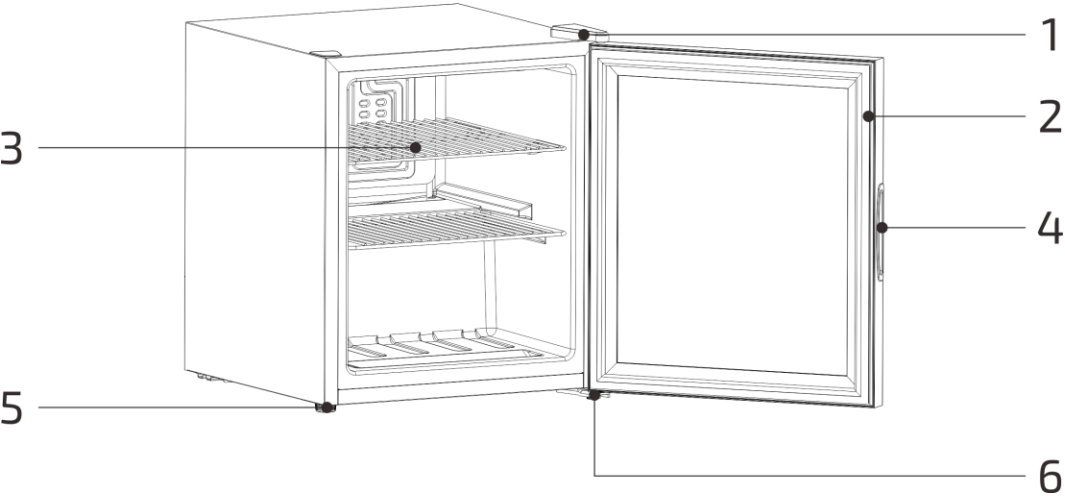
Caution: Do not use electrical equipment in the compartments of the appliance, unless they are of the type recommended by the manufacturer.

These products are in compliance with European standard and directive and possible



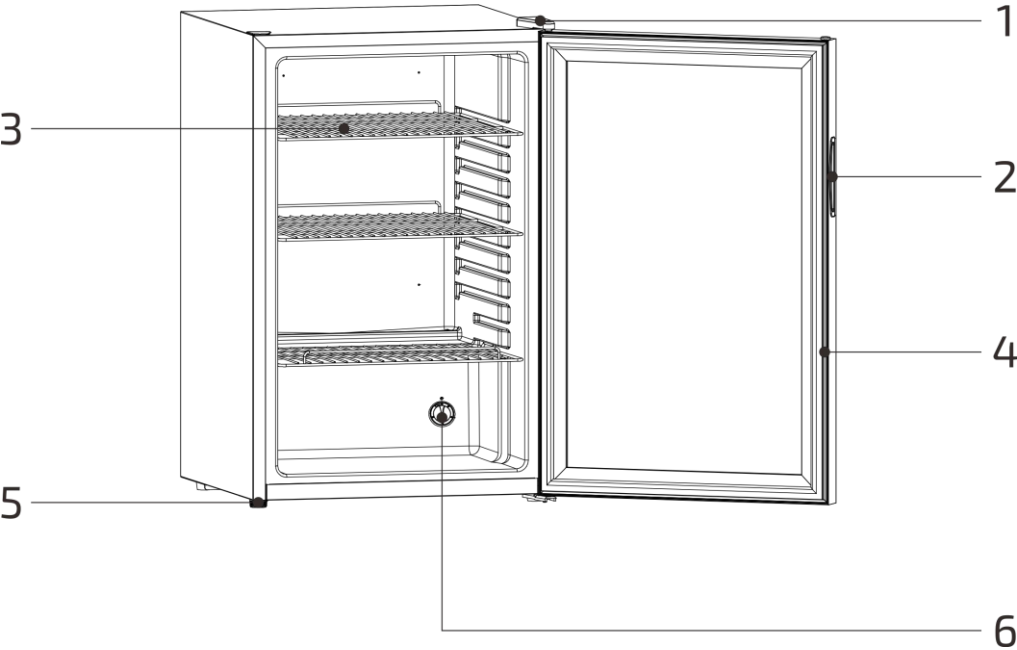
2.PRODUCT DESCRIPTION

D46NV



- 1: Upper Hinge 2: Door Gasket 3: Shelf
- 4: Door Handle 5: Adjust Foot 6: Bottom Hinge

D115NV



- 1: Upper Hinge 2: Door Handle 3: Shelf
- 4: Door Gasket 5: Adjust Foot 6: Temperature Control

To find out more about your product, consult the online EPREL database. As defined in Commission Delegated Regulation (EU) 2019/2016, all information relating to this refrigeration appliance is available on the EPREL Base (European Product Database for energy labeling). This database enables you to consult the information and technical documentation of your refrigeration appliance.

You can access the EPREL Database by scanning the QR code on the energy label of your appliance or by going directly to: www.ec.europa.eu and searching the reference of your refrigeration appliance.

3. INSTALLATION INSTRUCTIONS

Location

When selecting a position for your refrigerated showcase you should make sure the floor is flat and firm, and the room is well ventilated. Avoid locating your refrigerated showcase near a heat source, eg, cooker, boiler or radiator. Also, avoid direct sunlight in out-buildings or sun lounges. If you are placing your refrigerated showcase in an out-building such as a garage or annex ensure that the Refrigerated showcase is placed above the damp course, otherwise condensation will occur on the cabinet. Never place the refrigerated showcase in a wall recessed or into fitted cabinets or furniture when your refrigerated showcase is working, the grille at the back may become hot and the sides warm.

It must therefore be installed so that the back and the sides of the appliance have enough space for ventilation around the appliance. This refrigerating appliance is not intended to be used as a built in Appliance.

Location conditions:

When selecting a location for your appliance you should make sure the floor is flat and firm, and the room is well ventilated. An average ambient temperature must be observed.

This temperature is specific according to the climatic class of the device:

CLASS	SYMBOL	AMBIENT TEMPERATURES RANGE (°C)
Extended temperate	SN	From +10 to +32
Temperate	N	From +16 to +32
Subtropical	ST	From +16 to +38
Tropical	T	From +16 to +43

- **N:** This refrigerating appliance is intended to be used at ambient temperatures ranging from 16 °C to 32 °C.

Your appliance is a **N class**.

Cleaning before use

Wipe the inside of the refrigerated showcase with a weak solution of bicarbonate of soda. Then rinse with warm water using a damp sponge or cloth. Wash the baskets and shelves in warm soapy water and dry completely before replacing in the refrigerated showcase.

Before plugging in

Check that you have a socket which is compatible with the plug supplied with the refrigerated showcase.

DO NOT SWITCH ON UNTIL FOUR HOURS AFTER MOVING THE REFRIGERATED SHOWCASE.

The coolant fluid needs time to settle. If the appliance is switched off at any time, wait 30 minutes before switching back on to allow the coolant fluid to settle.

Before filling your refrigerated showcase

Before storing beverages in your refrigerated showcase, turn the refrigerated showcase on and wait for 3 hours, to make sure it is working properly and to allow the refrigerated showcase to fall to the correct temperature.

REVERSING THE DOOR OPENING

If required, the door opening can be moved from the right (supplied condition) to the left side.

WARNING:

When replacing the door stop, the appliance must be disconnected from the power supply first.

NOTE:

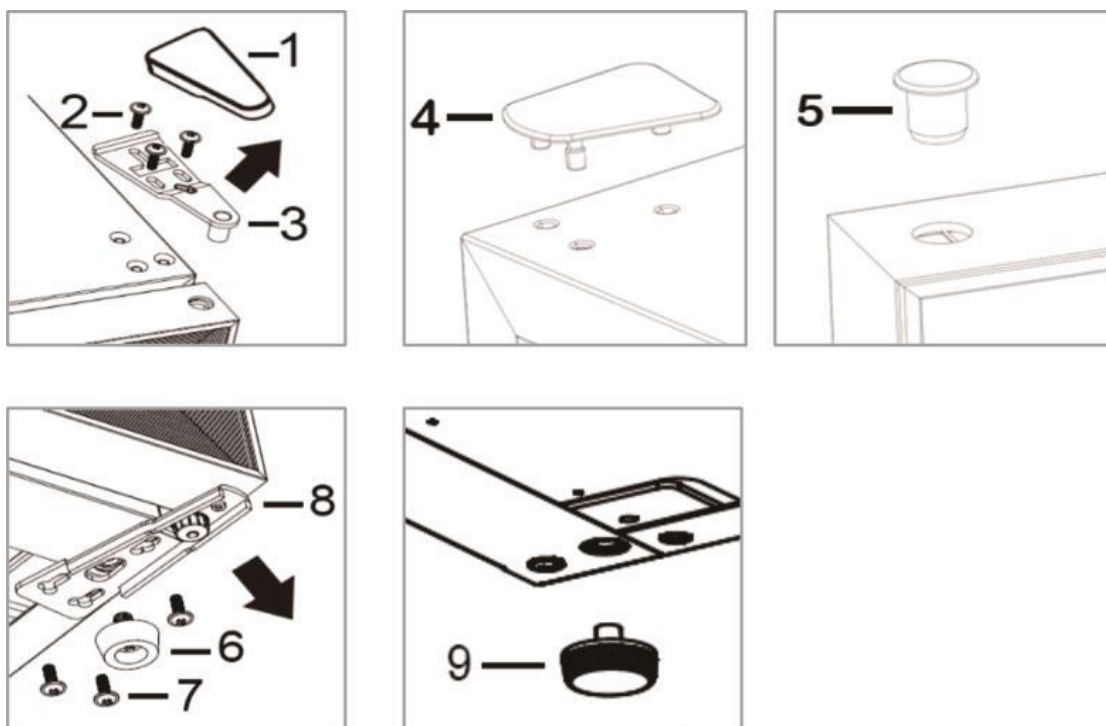
- Ask another person to assist.
- You possibly need: screw wrench, Phillips screwdriver as well as a thin- blade screwdriver.

Remove the hinge cover (1). Loosen the screws (2) and remove the door hinge (3). Move the blind cap (4) on the now exposed hole. Lift out the appliance door, move the blind plug (5) and place the door safely aside.

Tilt the appliance slightly backwards and block it in this position. First remove the stand (6), then loosen the screws (7) and remove the door hinge (8). Unscrew the separate stand (9). Move and attach the lower door hinge (8) to the corresponding other bottom

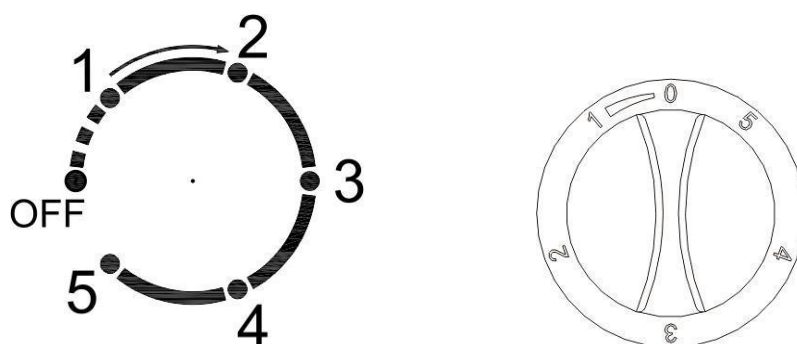
side of the appliance using the screws (7). Attach the stand (6) to it. Screw in the separate stand (9). Return the appliance to the upright position. Place the appliance door on the hinge pin and fix it in the intended position. Move and secure the upper door hinge (3) with the screws (2) to the corresponding other top side of the appliance. Replace the hinge cover (1).

Check that the door is aligned vertically and horizontally to ensure proper opening and closing of the



4. OPERATING YOUR APPLIANCE

Your appliance has one control for regulating the temperature. The temperature control is inside the appliance.



The range of the temperature control is from position "1" the warmest to "5" the coldest. Adjust the temperature control to the setting that best suits your needs. The setting of

“3” should be appropriate for home or office refrigerator use.

To turn the refrigerator off, turn the temperature control to “OFF” / “0” (depends on the model).

Settings 1: Refrigerator compartment average temperature 9°C ~ 15°C

Settings 2: Refrigerator compartment average temperature 6°C ~ 12°C

Settings 3: Refrigerator compartment average temperature 4°C ~ 10°C

Settings 4: Refrigerator compartment average temperature 2°C ~ 8°C

Settings 5: refrigerator compartment average temperature -1°C ~ 6°C

The temperature control knob is a device to adjust the temperature in the refrigerator. The gear on the knob does not represent the temperature value. At the same ambient temperature, the larger the gear, the lower the temperature in the box; the smaller the gear, the higher the temperature in the box. Users can adjust the temperature control knob according to their needs (deviation possible of $\pm 5^{\circ}\text{C}$).

If the ambient temperature is high, it is not recommended to set the temperature control knob to "5", otherwise the compressor will continue to work.

Temperature too high or too low will affect the taste and the conservation of the beverage.

NOTE:

- Before the refrigerator is powered off, please set the gear to “OFF” / “0” (depends on the model).
- If the unit is unplugged, lost power, or turned off; you must wait 5 minutes before restarting the unit. If you attempt to restart before this time delay, the refrigerator will not start.
- When the temperature control knob is set to “OFF” / “0” (depends on the model), the compressor will stop working, but the power supply of the refrigerator will not be cut off.
- When the surrounding temperature is 25°C and D47NV has no load, it will take around 30 minutes to decrease the pantry 's temperature from 25°C to 17°C.
- When the surrounding temperature is 25°C and D115NV has no load, it will take around 30 minutes to decrease the pantry 's temperature from 25°C to 17°C.

Do not leave the door open for too long so that the indoor temperature does not rise too much.

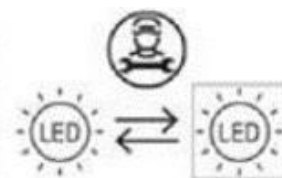
Storage of beverages

We remind you that the storage of foodstuffs must comply with regulatory storage temperatures established by the National Agency for Food, Environmental and

Occupational Health and Safety (ANSES). Failure to respect these storage temperatures involves risks of poisoning and food waste.

Change the lamp

This appliance consists of light-emitting diodes (LEDs). This type of diode cannot be changed by the consumer. The lifetime of these LEDs is normally sufficient for no change to be made. If however, and despite all the care taken during the manufacture of your appliance, the LEDs were defective, please contact your after-sales service for any intervention.



5. CARE AND MAINTENANCE

Defrost

The defrost of your appliance is manual.

Defrost when frost is accumulated on the evaporator is about 2mm:

- Set the thermostat to “OFF” / “0” (depends on the model) for defrosting.
- Switch off the appliance and disconnect the mains plug from the mains socket.
- Remove all contents.
- Leave the showcase door open to allow melting of the ice.
- Remove large pieces of ice if necessary, with dishcloth or something that will not damage the walls.
- Do not use hot water or other electric heaters to melt the accumulated ice.
- After defrosting, remove the accumulated ice / water and dry with a soft cloth.
- Restart the unit according to the start instructions. Never use a knife or other sharp instrument to scrape ice inside.

Cleaning inside the appliance

Before maintenance, switch off the appliance and disconnect the mains plug from the mains socket. After defrosting you should clean the refrigerated showcase internally with a weak solution of bicarbonate of soda. Then rinse with warm water using a damp sponge or cloth and wipe dry. Wash the baskets in warm soapy water and ensure they are completely dry before replacing in the refrigerated showcase. Condensation will form on the back wall of the Refrigerated showcase; however, it will normally run down the back wall and into the drain hole.

Cleaning outside the appliance

Before maintenance, switch off the appliance and disconnect the mains plug from the mains socket. Use standard non-abrasive detergent diluted in warm water to clean the refrigerated showcase exterior.

The grille of the condenser at the back of the refrigerated showcase and the adjacent components can be vacuumed using a soft brush attachment.

Do not use harsh cleaners, scouring pads or solvents to clean any part of the refrigerated showcase.

Moving the unit

- **Transportation**

Do not transport the device at an angle of less than 45° with the ground. When loading, never stand on any of the external parts, such as the door.

When the beverage cooler is installed or used, the desired packaging (including cardboard and plastic foam) should be removed.

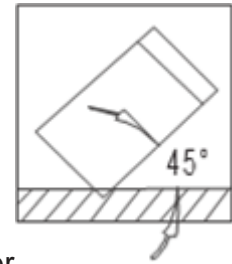
Do not hold the handle when installing and moving the beverage cooler.

Keep the showcase steady to avoid vibration and noise.

The showcase should be installed in a well-ventilated area. A space of at least 10 cm must be maintained between the surrounding wall and the wall of the cabinet and the top panel for air circulation. Do not place any object on the top panel.

It should be placed away from heating resources and not under direct sunshine to maintain refrigeration efficiency.

Install the beverage cooler in a dry place to avoid rust on the unit, which may affect the electrical insulation.



- **Location**

Do not place your refrigerator near a heat source, for example. Stove, boiler or radiator. Also, avoid direct sunlight.

- **Do not turn on the refrigerator for 4 hours**

After any movement, it must not be connected for 4 hours. This delay allows the coolant to be adjusted.

- **Installation**

Let your device breathe. Heat is released from the walls, so it is important to leave a circulation of air around your device.

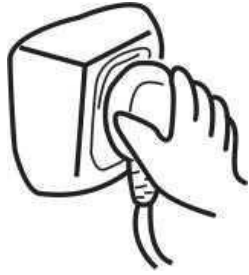
Turn off your appliance

- If the unit is not likely to operate for a long period of time:
- Remove all beverages from your appliance from the refrigerator.
- Unplug the appliance.
- Clean it thoroughly.
- Keep the door open to prevent odors from rising.

6. TROUBLESHOOTING GUIDE

If the product is not working properly, please check and handle according to the following methods. If the situation cannot be changed, please contact the local after-sales service center in time, and be sure to provide the model name and product number in detail.

The refrigerator doesn't work



Is the power on?



Is the power supply voltage too low?

The light is not bright



The light switch was not pressed

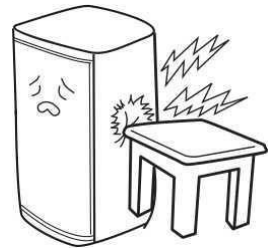


Is the power on?

It's noisy

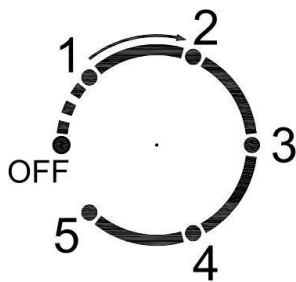


Whether the ground is flat and whether the product is placed stably

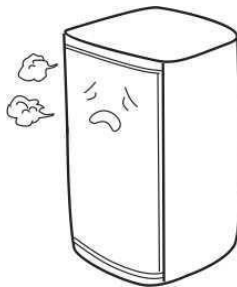


Is the product in contact with external objects or walls

The internal temperature is not low



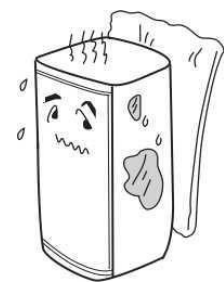
Improper setting temperature, please select the appropriate temperature



The door is not closed tightly or opened frequently, and the opening time is too long




Is the location exposed to direct sunlight or too close to the furnace and other heat sources



Poor heat dissipation, please check whether there is enough cooling space around the product

7. ENVIRONMENT

This appliance is marked according to the European directive 2012/19/CE on Waste Electrical and Electronic Equipment (WEEE). By ensuring this product is disposed of correctly, you will help prevent potential negative consequences for the environment and human health, which could otherwise be caused by  inappropriate waste handling of this product.



The symbol on the product, or on the documents accompanying the product, the Crossed-Out Wheelie Bin, indicates that this appliance may not be treated as household waste. Instead, it shall be handed over to the applicable collection point for the recycling of electrical and electronic equipment, or, if you are buying an equivalent product, to the retailer of the new product.

The user is responsible for taking the appliance to the appropriate collection center at the end of its useful life. Selective and appropriate collection for the recycling of no longer used appliances and their disposal and destruction in an environmentally friendly manner, helps to prevent potential negative effects on the environment and health, and encourages the recycling of materials used to make the product.

For more detailed information about treatment, recovery and recycling of this product, please contact your local authority, your household waste disposal service or the retailer where you purchased the product.

8. WARNING

As we continuously improve our products for the benefit of our customers, we reserve the right to modify technical characteristics without notice.

Warranties for FRIGELUX brand products are offered exclusively by selected retailers. No part of these instructions may be considered as a supplementary guarantee.

FRIO ENTREPRISE cannot be held liable for errors or technical or editorial omissions in this document.

Non-binding document.