

OX30DX-24



Ageing and Service Wine Cellar
Oslo series
Built-under counter

GENERAL INFORMATION

Number of bottles : 17
Number of zones : 2
Adjustable temperature range : 5-20°C
Noise level : 38dB
Energy class : F
Climate class : N/ST (16-38)
Vinotag compatible : Yes



Product description

Modern wine cabinet with high-end technology

High quality wine cabinet with Scandinavian design and optimal storing conditions. Designed for seamless integration under the kitchen counter top. The stainless steel front makes a beautiful and stylish touch to your kitchen space.

This model is designed with a removable ventilation grill in the front for installation behind the kitchens plinth.



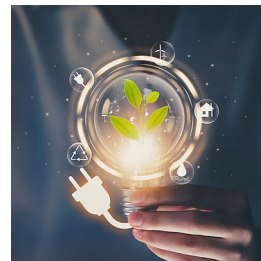
Touch panel & digital display

Easy and intuitive control of temperature and lighting.



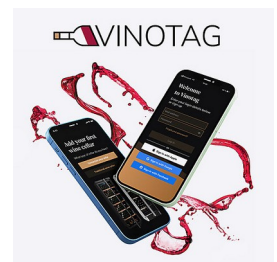
Side LED-lighting

Additional side lighting to effectively illuminate your wine collection.



Improved efficiency

New and improved energy efficiency with lower sound levels.



Vinotag compatible

View and manage your wine collection on the go with the Vinotag-application.

OX30DX-24

EAN-13 - 7073437000205

Capacity and Temperature

- **Number of bottles: 17**
 - Upper zone : 6
 - Lower zone : 10
- **Adjustable temperature: 5-20°C**
 - Upper zone : 5-12°C
 - Lower zone : 12-20°C

Door

Number of glass layers : 2
Anti-UV : Yes
Lock : No
Reversible door : Yes
Handle type : Pulling bar
Door dimensions (WxDxH) : 28.2x5.05x71.5

Security

Alarm : Door

Logistic

Net dimensions (WxDxH): 29.5 x 57.0 x 81.5
Gross dimensions (WxDxH): 33.0 x 63.0 x 87.0
Net weight (kg) : 35.3
Gross weight (kg) : 37.2

Technical Data

Energy class : F
Annual energy (KWh/a) : 87
Climate class : N/ST (16-38)
Noise level : 38dB /
Power input : 88.00 W
Voltage : 220-240 V
Length of power cable : 150 cm
Plug Type : F type
Type of gas : R600a
Gas charge : 22 g
Type of compressor : Embraco
Main cooling system : Air moving system
Anti-vibration system : Yes
Adjustable feet : 4 / 3.5 cm

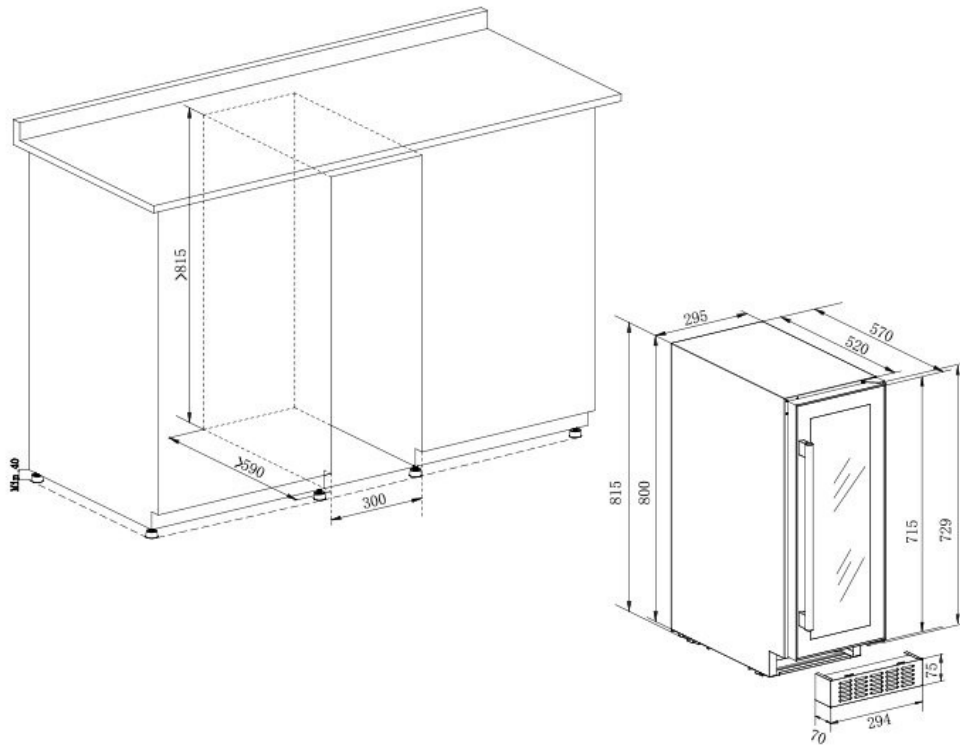
Light

Light source : LED
Light color(s) : White
Dimmable light : no
Light switch : no

Qty per 20' : 144
Qty per 40' : 305
Qty per 40 HC: 344
Customs code:

OX30DX-24

EAN-13 - 7073437000205



Accessories

- 4 shelves, wooden with natural wood front, sliding, rails
- 1 half shelf, wooden with natural wood front
- 1 charcoal filter, (FILTRE7)

Built-in information

Built-in dimensions (WxDxH) : 30.00 x 59.00 x 81.50

Self ventilation system : No

Plinth height : 7.50

Removable plinth : Yes / 7.00