

## OX60DRB-24



Ageing and Service Wine Cellar  
Oslo series  
Built-under counter



### GENERAL INFORMATION

**Number of bottles : 46**  
**Number of zones : 2**  
**Adjustable temperature range : 5-20°C**  
**Noise level : 38dB**  
**Energy class : F**  
**Climate class : N/ST (16-38)**  
**Vinotag compatible : Yes**

### Product description

#### Modern wine cabinet with high-end technology

High quality wine cabinet with Scandinavian design and optimal storing conditions. Designed for seamless integration under the kitchen counter top. The black glass front and integrated door handle makes a seamless and beautiful addition to your kitchen space.

This model is designed with a removable ventilation grill in the front for installation behind the kitchens plinth.



#### Integrated handle

The handle integrated in the door provides a clean and aesthetic appearance.



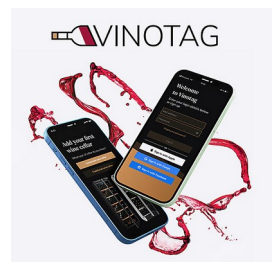
#### Side LED-lighting

Additional side lighting to effectively illuminate your wine collection.



#### Door alarm feature

The door alarm adds an extra layer of security for your bottles.



#### Vinotag compatible

View and manage your wine collection on the go with the Vinotag-application.

# OX60DRB-24

EAN-13 - 7073437000229

## Capacity and Temperature

- **Number of bottles: 46**
  - Upper zone : 16
  - Lower zone : 30
- **Adjustable temperature: 5-20°C**
  - Upper zone : 5-20°C
  - Lower zone : 5-20°C

## Door

**Door color :** Black  
**Number of glass layers :** 2  
**Anti-UV :** Yes  
**Lock :** No  
**Reversible door :** Yes  
**Handle type :** Integrated  
**Door dimensions (WxDxH) :** 58.2x4.7x71.5

## Security

**Alarm :** Door  
**Child lock :** Yes

## Logistic

**Net dimensions (WxDxH):** 59.5 x 58.5 x 81.5  
**Gross dimensions (WxDxH):** 66.0 x 63.0 x 88.5  
**Net weight (kg) :** 50.4  
**Gross weight (kg) :** 53.7

## Technical Data

**Energy class :** F  
**Annual energy (KWh/a) :** 103  
**Climate class :** N/ST (16-38)  
**Noise level :** 38dB /  
**Power input :** 110.00 W  
**Voltage :** 220-240 V  
**Length of power cable :** 150 cm  
**Plug Type :** F type  
**Type of gas :** R600a  
**Gas charge :** 28 g  
**Type of compressor :** Inverter Embraco  
**Main cooling system :** Air moving system  
**Evaporator material :** Copper  
**Evaporator number :** 2  
**Charcoal filter :** 2  
**Anti-vibration system :** Yes  
**Adjustable feet :** 4 / 3.5 cm

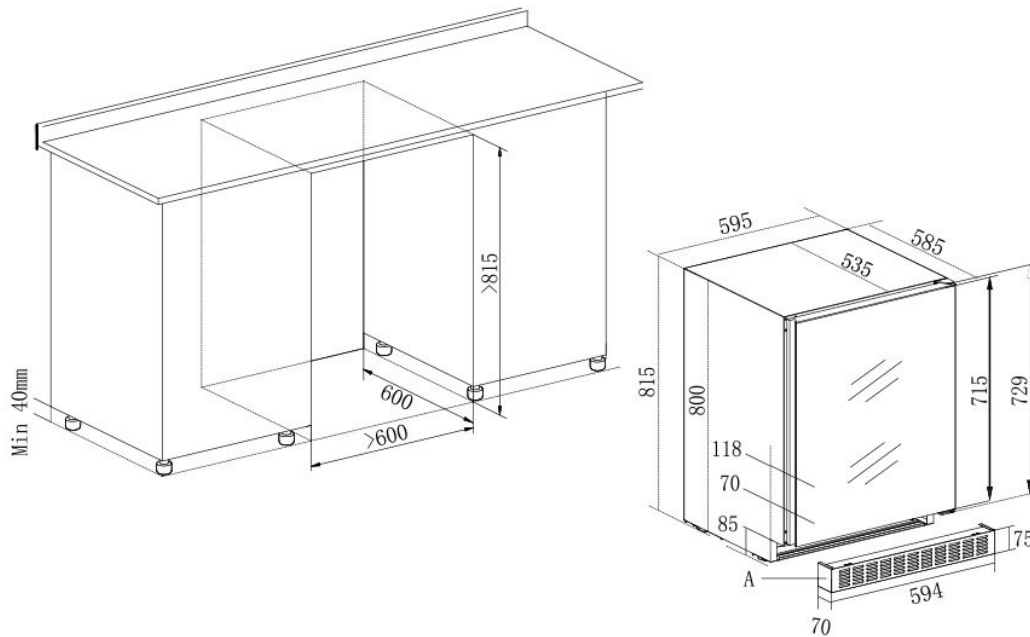
## Light

**Light source :** LED  
**Light color(s) :** White  
**Dimmable light :** no  
**Light switch :** no

**Qtty per 20' :** 54  
**Qtty per 40' :** 114  
**Qtty per 40 HC:** 171  
**Customs code:**

**OX60DRB-24**

EAN-13 - 7073437000229

**Accessories**

- 5 shelves, wooden with natural wood front, sliding, rails, anti-vibration system
- 1 half shelf, wooden with natural wood front
- 2 charcoal filters, (FILTRE7)

**Built-in information****Built-in dimensions (WxDxH) :** 60.00 x 60.00 x 81.50**Self ventilation system :** No**Recessed plinth :** Yes /**Plinth height :** 7.50**Removable plinth :** Yes / 7.00