

OX60DRW-24



Ageing and Service Wine Cellar
Oslo series
Built-under counter

GENERAL INFORMATION

Number of bottles : 46
Number of zones : 2
Adjustable temperature range : 5-20°C
Noise level : 38dB
Energy class : F
Climate class : N/ST (16-38)
Vinotag compatible : Yes



Product description

Modern wine cabinet with high-end technology

High quality wine cabinet with Scandinavian design and optimal storing conditions. Designed for seamless integration under the kitchen counter top. The white glass front and integrated door handle makes a seamless and beautiful addition to your kitchen space.

This model is designed with a removable ventilation grill in the front for installation behind the kitchens plinth.



Integrated handle

The handle integrated in the door provides a clean and aesthetic appearance.



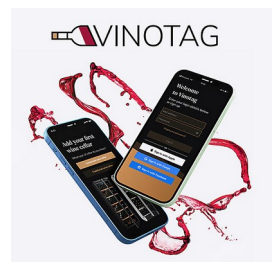
Side LED-lighting

Additional side lighting to effectively illuminate your wine collection.



Door alarm feature

The door alarm adds an extra layer of security for your bottles.



Vinotag compatible

View and manage your wine collection on the go with the Vinotag-application.

OX60DRW-24

EAN-13 - 7073437000243

Capacity and Temperature

- **Number of bottles: 46**
 - Upper zone : 16
 - Lower zone : 30
- **Adjustable temperature: 5-20°C**
 - Upper zone : 5-20°C
 - Lower zone : 5-20°C

Door

Door color : White
Number of glass layers : 2
Anti-UV : Yes
Lock : No
Reversible door : Yes
Handle type : Integrated
Door dimensions (WxDxH) : 58.2x4.7x71.5

Security

Alarm : Door
Child lock : Yes

Logistic

Net dimensions (WxDxH): 59.5 x 58.5 x 81.5
Gross dimensions (WxDxH): 66.0 x 63.0 x 89.0
Net weight (kg) : 50.4
Gross weight (kg) : 53.8

Technical Data

Energy class : F
Annual energy (KWh/a) : 103
Climate class : N/ST (16-38)
Noise level : 38dB /
Power input : 110.00 W
Voltage : 220-240 V
Length of power cable : 150 cm
Plug Type : F type
Type of gas : R600a
Gas charge : 28 g
Type of compressor : Inverter Embraco
Main cooling system : Air moving system
Evaporator material : Copper
Evaporator number : 2
Charcoal filter : 2
Anti-vibration system : Yes
Adjustable feet : 4 / 3.5 cm

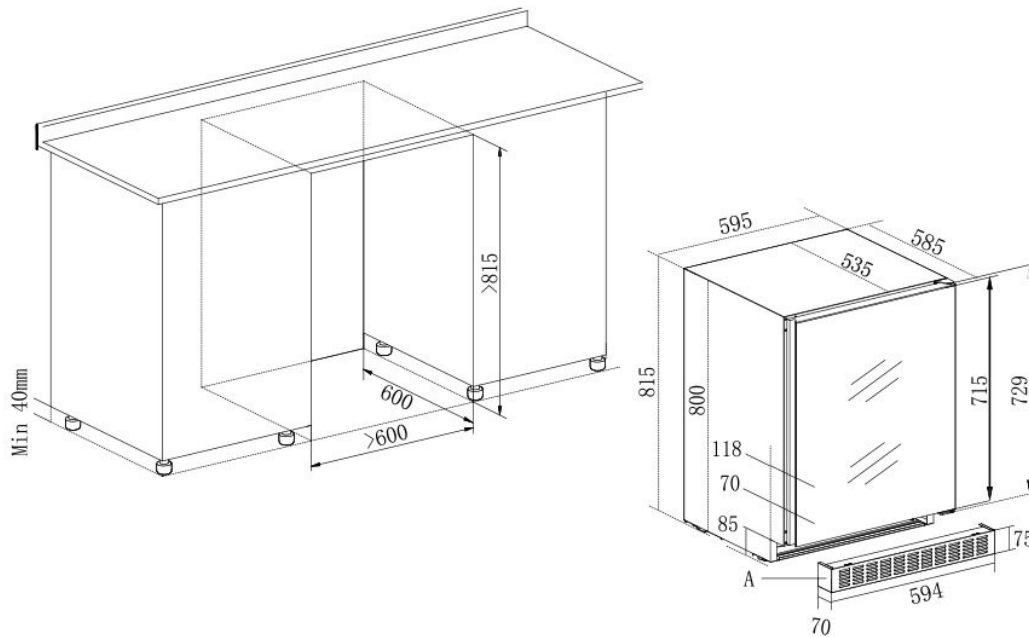
Light

Light source : LED
Light color(s) : White
Dimmable light : no
Light switch : no

Qtty per 20' : 54
Qtty per 40' : 114
Qtty per 40 HC: 171
Customs code:

OX60DRW-24

EAN-13 - 7073437000243



Accessories

- 4 shelves, wooden with natural wood front, sliding, rails, anti-vibration system
- 1 half shelf, wooden with natural wood front
- 2 charcoal filters, (FILTRE7)

Built-in information

Built-in dimensions (WxDxH) : 60.00 x 60.00 x 81.50

Self ventilation system : No

Recessed plinth : Yes /

Plinth height : 7.50

Removable plinth : Yes / 7.00