

## OX60DX-24



Ageing and Service Wine Cellar  
Oslo series  
Built-under counter

### GENERAL INFORMATION

**Number of bottles : 46**  
**Number of zones : 2**  
**Adjustable temperature range : 5-20°C**  
**Noise level : 38dB**  
**Energy class : F**  
**Climate class : N/ST (16-38)**  
**Vinotag compatible : Yes**



### Product description

#### Modern wine cabinet with high-end technology

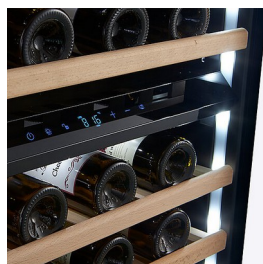
High quality wine cabinet with Scandinavian design and optimal storing conditions. Designed for seamless integration under the kitchen counter top. The stainless steel front makes a beautiful and stylish touch to your kitchen space.

This model is designed with a removable ventilation grill in the front for installation behind the kitchens plinth.



#### Touch panel & digital display

Easy and intuitive control of temperature and lighting.



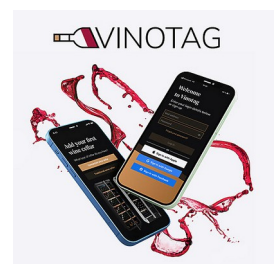
#### Side LED-lighting

Additional side lighting to effectively illuminate your wine collection.



#### Door alarm feature

The door alarm adds an extra layer of security for your bottles.



#### Vinotag compatible

View and manage your wine collection on the go with the Vinotag-application.

# OX60DX-24

EAN-13 - 7073437000236

## Capacity and Temperature

- **Number of bottles: 46**
  - Upper zone : 16
  - Lower zone : 30
- **Adjustable temperature: 5-20°C**
  - Upper zone : 5-20°C
  - Lower zone : 5-20°C

## Door

**Number of glass layers :** 2  
**Anti-UV :** Yes  
**Lock :** No  
**Reversible door :** Yes  
**Handle type :** Pulling bar  
**Door dimensions (WxDxH) :** 58.2x5.05x71.5

## Security

**Alarm :** Door  
**Child lock :** Yes

## Logistic

**Net dimensions (WxDxH):** 59.5 x 58.5 x 81.5  
**Gross dimensions (WxDxH):** 66.0 x 63.0 x 89.0  
**Net weight (kg) :** 51.3  
**Gross weight (kg) :** 54.5

## Technical Data

**Energy class :** F  
**Annual energy (KWh/a) :** 103  
**Climate class :** N/ST (16-38)  
**Noise level :** 38dB /  
**Power input :** 110.00 W  
**Voltage :** 220-240 V  
**Length of power cable :** 150 cm  
**Plug Type :** F type  
**Type of gas :** R600a  
**Gas charge :** 28 g  
**Type of compressor :** Inverter Embraco  
**Main cooling system :** Air moving system  
**Evaporator material :** Copper  
**Evaporator number :** 2  
**Charcoal filter :** 2  
**Anti-vibration system :** Yes  
**Adjustable feet :** 4 / 3.5 cm

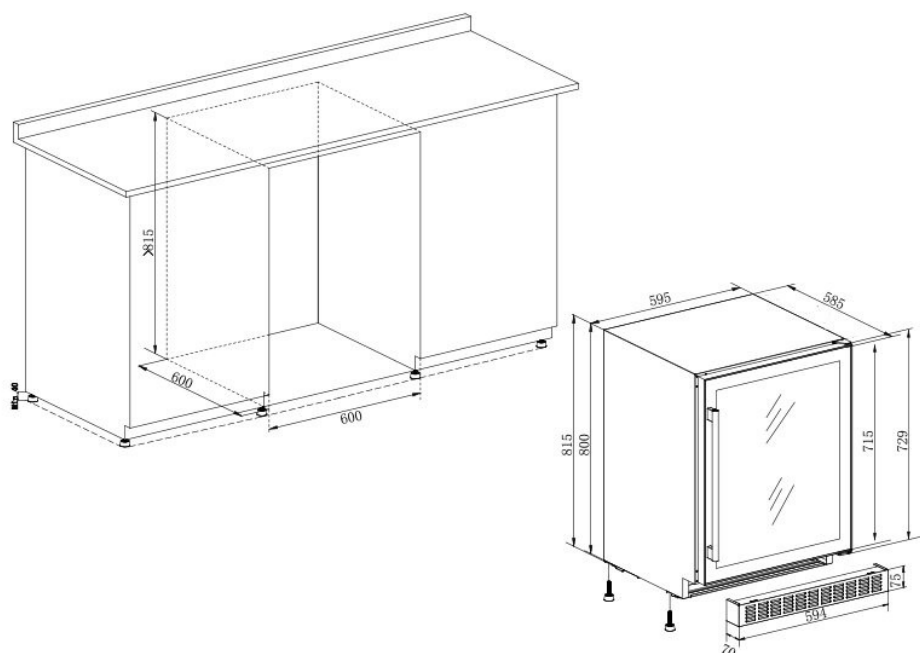
## Light

**Light source :** LED  
**Light color(s) :** White  
**Dimmable light :** no  
**Light switch :** no

**Qtty per 20' :** 54  
**Qtty per 40' :** 114  
**Qtty per 40 HC:** 171  
**Customs code:**

# OX60DX-24

EAN-13 - 7073437000236



## Accessories

- 5 shelves, wooden with natural wood front, sliding, rails, anti-vibration system
- 1 half shelf, wooden with natural wood front
- 2 charcoal filters, (FILTRE7)

## Built-in information

**Built-in dimensions (WxDxH) :** 60.00 x 60.00 x 81.50

**Self ventilation system :** No

**Recessed plinth :** Yes /

**Plinth height :** 7.50

**Removable plinth :** Yes / 7.00