

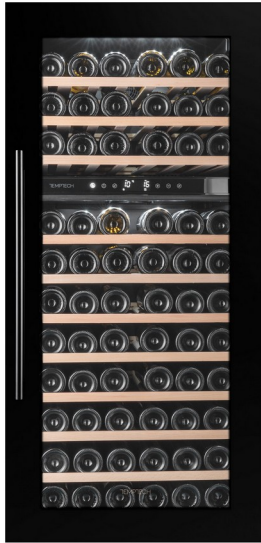
OZ124DB-24



Ageing and Service Wine Cellar
Oslo series
Built-in column

GENERAL INFORMATION

Number of bottles : 74
Number of zones : 2
Adjustable temperature range : 5-20°C
Noise level : 38dB
Energy class : G
Climate class : N/ST (16-38)
Vinotag compatible : Yes

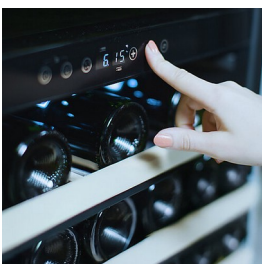


Product description

Modern wine cabinet with high-end technology

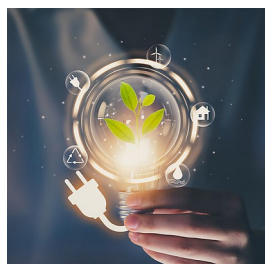
High quality wine cabinet with Scandinavian design and optimal storing conditions. The stylish design with black glass front, beech wooden shelves and interior LED-lighting will add a luxurious touch to your kitchen space. Equipped with a digital display and touch panel that allows you to easily adjust temperature and lighting.

This model is designed for installation in kitchen columns, and requires measures for proper ventilation.



Touch panel & digital display

Easy and intuitive control of temperature and lighting.



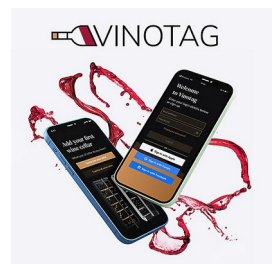
Improved efficiency

New and improved energy efficiency with lower sound levels.



Large capacity

Big storage capacity for larger wine collections.



Vinotag compatible

View and manage your wine collection on the go with the Vinotag-application.

OZ124DB-24

EAN-13 - 7073437000403

Capacity and Temperature

- **Number of bottles: 74**
 - Upper zone : 21
 - Lower zone : 53
- **Adjustable temperature: 5-20°C**
 - Upper zone : 5-12°C
 - Lower zone : 12-20°C

Door

Door color : Black
Number of glass layers : 2
Anti-UV : Yes
Lock : No
Reversible door : Yes
Handle type : Pulling bar
Door dimensions (WxDxH) : 59x3.3x123.3

Security

Alarm : Door

Logistic

Net dimensions (WxDxH): 59.0 x 57.0 x 123.7
Gross dimensions (WxDxH): 65.5 x 69.0 x 132.0
Net weight (kg) : 62.6
Gross weight (kg) : 68.6

Technical Data

Energy class : G
Annual energy (KWh/a) : 146
Climate class : N/ST (16-38)
Noise level : 38dB /
Power input : 95.00 W
Voltage : 220-240 V
Length of power cable : 150 cm
Plug Type : F type
Type of gas : R600a
Gas charge : 40 g
Type of compressor : Embraco
Main cooling system : Air moving system
Charcoal filter : 2
Anti-vibration system : Yes
Adjustable feet : 4 / cm

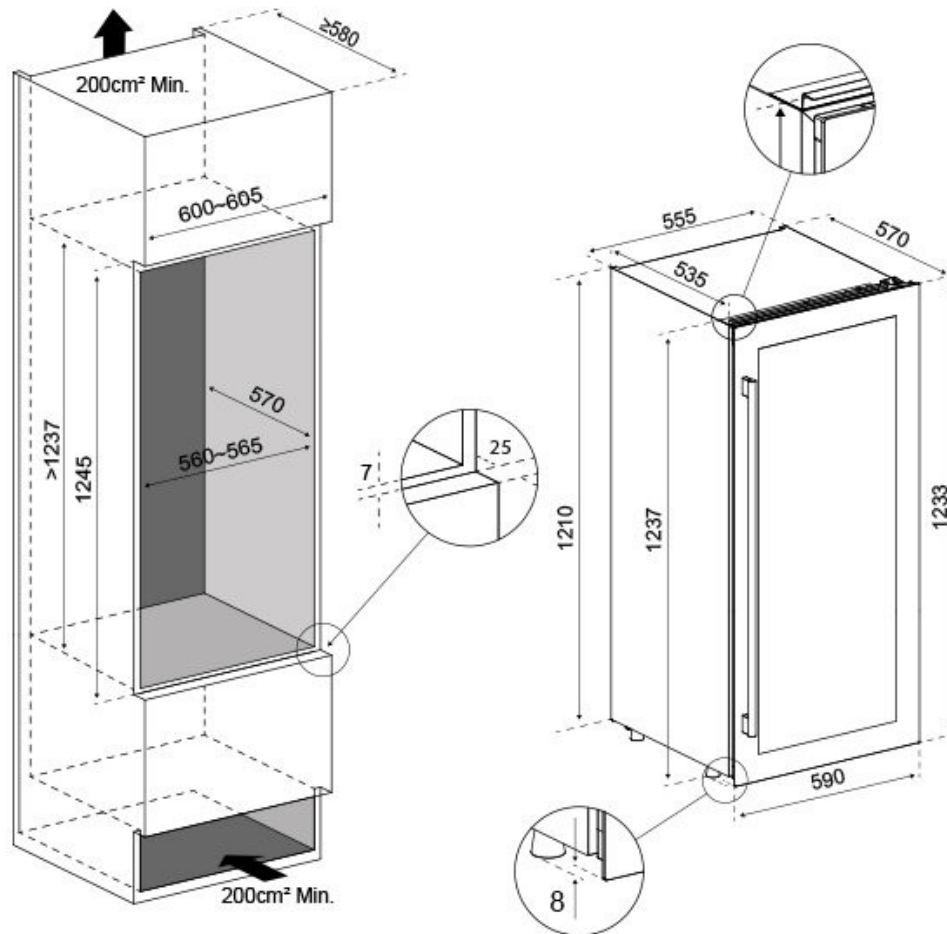
Light

Light source : LED
Light color(s) : White
Dimmable light : no
Light switch : no

Qty per 20' : 36
Qty per 40' : 81
Qty per 40 HC : 108
Customs code :

OZ124DB-24

EAN-13 - 7073437000403

**Accessories**

- 10 shelves, wooden with natural wood front, sliding
- 2 charcoal filters, (FILTRE7)

Built-in information

Built-in dimensions (WxDxH) : 555.00 x 535.00 x 1237.00

Self ventilation system : No