

## OZ45SB-24



Ageing and Service Wine Cellar  
Oslo series  
Built-in column



### GENERAL INFORMATION

**Number of bottles : 18**  
**Number of zones : 1**  
**Adjustable temperature range : 5-20°C**  
**Noise level : 39dB**  
**Energy class : F**  
**Climate class : N/ST (16-38)**  
**Vinotag compatible : Yes**

### Product description

#### Modern wine cabinet with high-end technology

High quality wine cabinet with Scandinavian design and optimal storing conditions. The stylish design with black glass front, beech wooden shelves and interior LED-lighting will add a luxurious touch to your kitchen space. Equipped with a digital display and touch panel that allows you to easily adjust temperature and lighting.

This model is designed for installation in kitchen columns, and requires measures for proper ventilation.



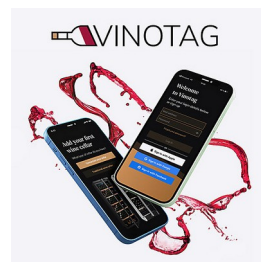
#### Touch panel & digital display

Easy and intuitive control of temperature and lighting.



#### Improved efficiency

New and improved energy efficiency with lower sound levels.



#### Vinotag compatible

View and manage your wine collection on the go with the Vinotag-application.

# OZ45SB-24

EAN-13 - 7073437000168

## Capacity and Temperature

- **Number of bottles: 18**
- **Adjustable temperature: 5-20°C**

## Door

**Door color :** Black  
**Number of glass layers :** 3  
**Anti-UV :** Yes  
**Lock :** No  
**Reversible door :** Yes  
**Handle type :** Pulling bar  
**Door dimensions (WxDxH) :** 58.8x3.5x45.3

## Security

**Alarm :** Door

## Logistic

**Net dimensions (WxDxH):** 59.0 x 55.5 x 45.5  
**Gross dimensions (WxDxH):** 65.5 x 65.5 x 53.0  
**Net weight (kg) :** 28.5  
**Gross weight (kg) :** 31.6

## Technical Data

**Energy class :** F  
**Annual energy (KWh/a) :** 90  
**Climate class :** N/ST (16-38)  
**Noise level :** 39dB /  
**Power input :** 55.00 W  
**Voltage :** 220-240 V  
**Length of power cable :** 150 cm  
**Plug Type :** F type  
**Type of gas :** R600a  
**Gas charge :** 21 g  
**Type of compressor :** Inverter Embraco  
**Main cooling system :** Air moving system  
**Charcoal filter :** 1  
**Anti-vibration system :** Yes

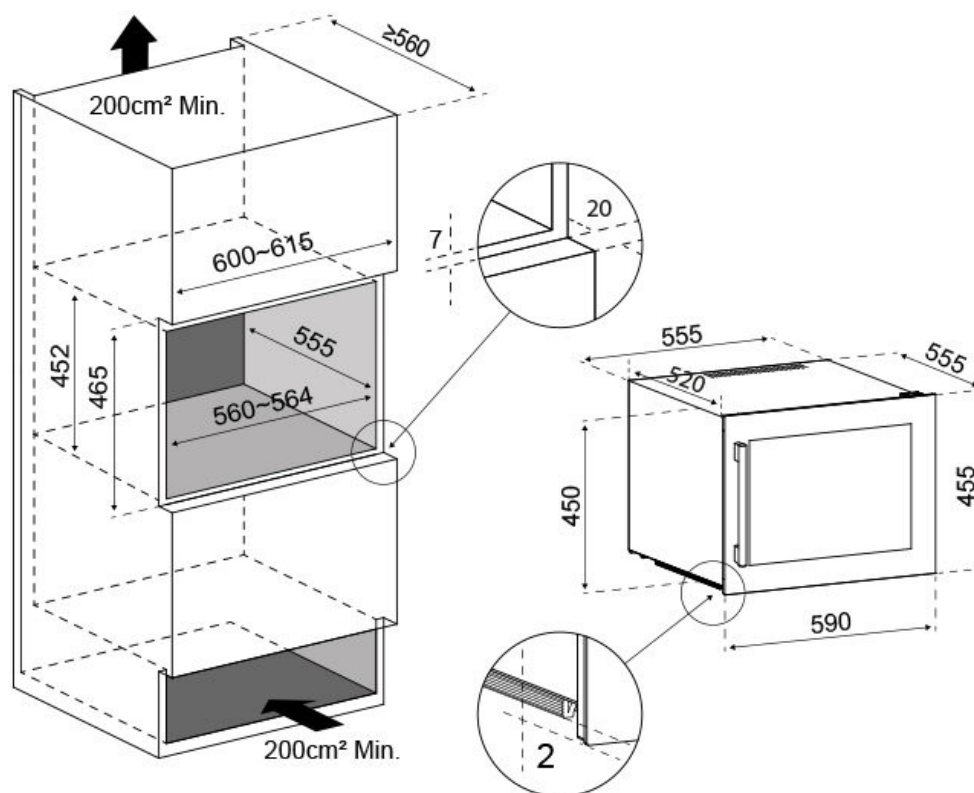
## Light

**Light source :** LED  
**Light color(s) :** White  
**Dimmable light :** no  
**Light switch :** no

**Qty per 20' :** 108  
**Qty per 40' :** 216  
**Qty per 40 HC :** 270  
**Customs code :**

# OZ45SB-24

EAN-13 - 7073437000168



## Accessories

- 2 shelves, wooden with natural wood front, sliding
- 1 charcoal filter, (FILTRE7)

## Built-in information

Self ventilation system : No