

OZ45SX-24



Ageing and Service Wine Cellar
Oslo series
Built-in column



GENERAL INFORMATION

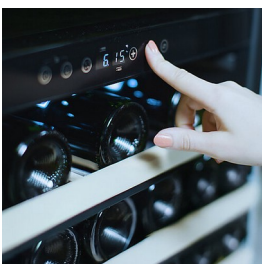
Number of bottles : 18
Number of zones : 1
Adjustable temperature range : 5-20°C
Noise level : 39dB
Energy class : F
Climate class : N/ST (16-38)
Vinotag compatible : Yes

Product description

Modern wine cabinet with high-end technology

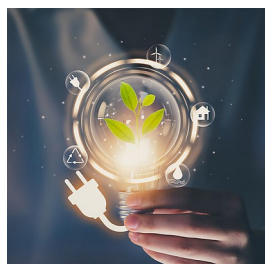
High quality wine cabinet with Scandinavian design and optimal storing conditions. The stylish design with stainless steel front, beech wooden shelves and interior LED-lighting will add a stylish touch to your kitchen space. Equipped with a digital display and touch panel that allows you to easily adjust temperature and lighting.

This model is designed for installation in kitchen columns, and requires measures for proper ventilation.



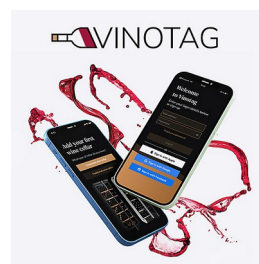
Touch panel & digital display

Easy and intuitive control of temperature and lighting.



Improved efficiency

New and improved energy efficiency with lower sound levels.



Vinotag compatible

View and manage your wine collection on the go with the Vinotag-application.

OZ45SX-24

EAN-13 - 7073437000175

Capacity and Temperature

- **Number of bottles: 18**
- **Adjustable temperature: 5-20°C**

Door

Door color : Stainless steel
Number of glass layers : 3
Anti-UV : Yes
Lock : No
Reversible door : Yes
Handle type : Pulling bar
Door dimensions (WxDxH) : 58.8x4x45.3

Security

Alarm : Door

Logistic

Net dimensions (WxDxH): 59.0 x 55.5 x 45.5
Gross dimensions (WxDxH): 65.5 x 65.5 x 53.0
Net weight (kg) : 29.0
Gross weight (kg) : 31.0

Technical Data

Energy class : F
Annual energy (KWh/a) : 90
Climate class : N/ST (16-38)
Noise level : 39dB /
Power input : 55.00 W
Voltage : 220-240 V
Length of power cable : 150 cm
Plug Type : F type
Type of gas : R600a
Gas charge : 21 g
Type of compressor : Inverter Embraco
Main cooling system : Air moving system
Charcoal filter : 1
Anti-vibration system : Yes

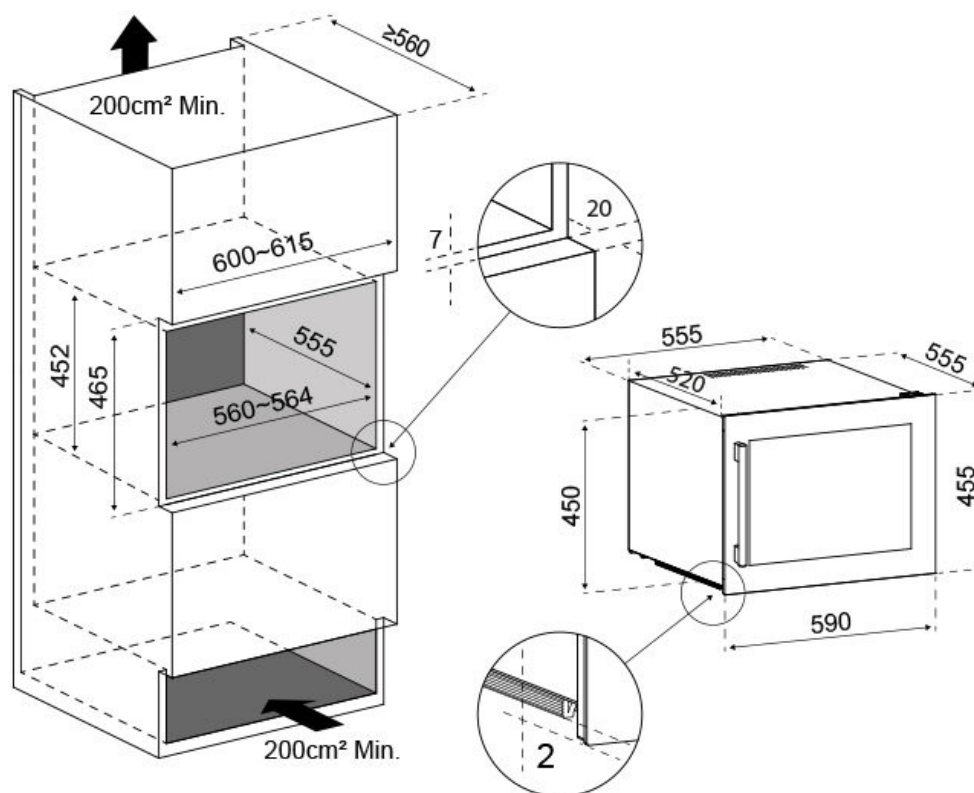
Light

Light source : LED
Light color(s) : White
Dimmable light : no
Light switch : no

Qty per 20' : 108
Qty per 40' : 216
Qty per 40 HC: 270
Customs code:

OZ45SX-24

EAN-13 - 7073437000175



Accessories

- 2 shelves, wooden with natural wood front, sliding
- 1 charcoal filter, (FILTRE7)

Built-in information

Self ventilation system : No