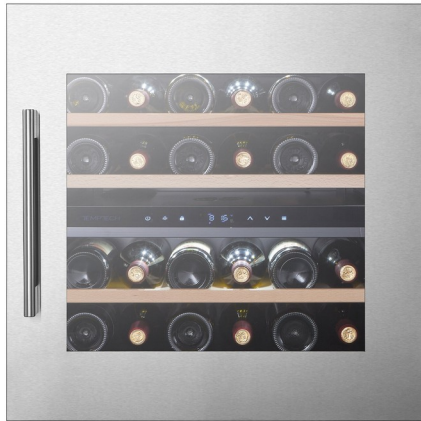


## OZ60DX-24



Ageing and Service Wine Cellar  
Oslo series  
Built-in column



### GENERAL INFORMATION

**Number of bottles : 28**  
**Number of zones : 2**  
**Adjustable temperature range : 5-20°C**  
**Noise level : 38dB**  
**Energy class : G**  
**Climate class : N/ST (16-38)**  
**Vinotag compatible : Yes**

### Product description

#### Modern wine cabinet with high-end technology

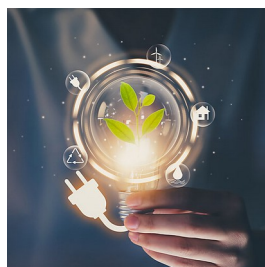
High quality wine cabinet with Scandinavian design and optimal storing conditions. The stylish design with stainless steel front, beech wooden shelves and interior LED-lighting will add a stylish touch to your kitchen space. Equipped with a digital display and touch panel that allows you to easily adjust temperature and lighting.

This model is designed for installation in kitchen columns, and requires measures for proper ventilation.



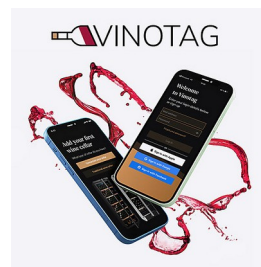
#### Touch panel & digital display

Easy and intuitive control of temperature and lighting.



#### Improved efficiency

New and improved energy efficiency with lower sound levels.



#### Vinotag compatible

View and manage your wine collection on the go with the Vinotag-application.

# OZ60DX-24

EAN-13 - 7073437000298

## Capacity and Temperature

- **Number of bottles: 28**
  - Upper zone : 12
  - Lower zone : 16
- **Adjustable temperature: 5-20°C**
  - Upper zone : 5-12°C
  - Lower zone : 12-20°C

## Door

**Door color** : Stainless steel  
**Number of glass layers** : 3  
**Anti-UV** : Yes  
**Lock** : No  
**Reversible door** : Yes  
**Handle type** : Pulling bar  
**Door dimensions (WxDxH)** : 59x4x59

## Security

**Alarm** : Door

## Logistic

**Net dimensions (WxDxH)**: 59.0 x 57.0 x 59.5  
**Gross dimensions (WxDxH)**: 65.5 x 69.0 x 67.0  
**Net weight (kg)** : 42.1  
**Gross weight (kg)** : 45.6

## Technical Data

**Energy class** : G  
**Annual energy (KWh/a)** : 117  
**Climate class** : N/ST (16-38)  
**Noise level** : 38dB /  
**Power input** : 75.00 W  
**Voltage** : 220-240 V  
**Length of power cable** : 150 cm  
**Plug Type** : F type  
**Type of gas** : R600a  
**Gas charge** : 30 g  
**Type of compressor** : Embraco  
**Main cooling system** : Air moving system  
**Anti-vibration system** : No  
**Adjustable feet** : 4 / cm

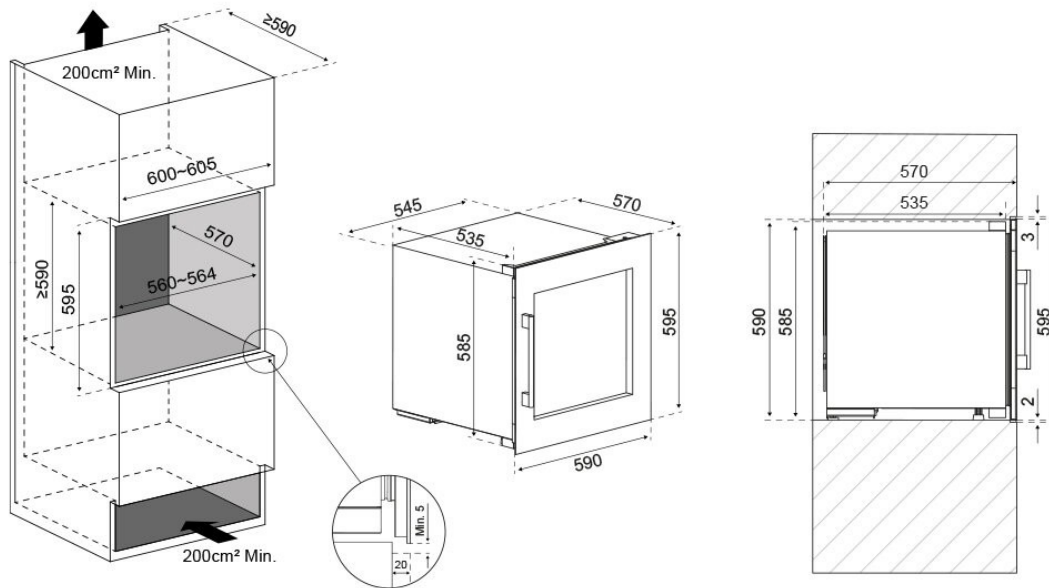
## Light

**Light source** : LED  
**Light color(s)** : White  
**Dimmable light** : no  
**Light switch** : no

**Qty per 20'** : 72  
**Qty per 40'** : 162  
**Qty per 40 HC**: 216  
**Customs code**:

# OZ60DX-24

EAN-13 - 7073437000298



## Accessories

- 3 shelves, wooden with natural wood front, sliding
- 1 charcoal filter, (FILTRE7)

## Built-in information

**Built-in dimensions (WxDxH) :** 545.00 x 535.00 x 585.00

**Self ventilation system :** No