

## PRESPROX60SRB



Ageing and Service Wine Cellar  
Prestige series  
Built-under counter



### GENERAL INFORMATION

**Number of bottles : 40**  
**Number of zones : 1**  
**Adjustable temperature range : 5-20°C**  
**Noise level : 39dB**  
**Energy class : G**  
**Climate class : N/ST (16-38)**  
**Vinotag compatible : Yes**

### Product description

#### Prestige by Temptech - Modern design and functionality

Wine cabinet from the Prestige series with high quality and a proper design. Equipped with a black glass front and handle, specially developed "label-view"-shelves, interior LED lighting and a digital display with touch panel for easy adjustment of both temperature and light. The model's features ensure excellent storage conditions for your wine and a better wine experience!



#### Integrated handle

The handle integrated in the door provides a clean and aesthetic appearance.



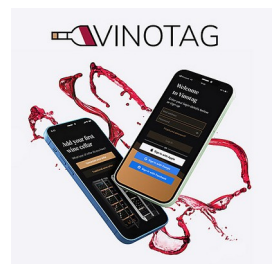
#### Label-view shelves

Specially designed "label-view"-shelves elegantly highlight your wine bottles.



#### Removable plinth

Removable ventilation base for integrating behind the kitchens plinth.



#### Vinotag compatible

View and manage your wine collection on the go with the Vinotag-application.

# PRESPROX60SRB

EAN-13 - 7090013678429

## Capacity and Temperature

- **Number of bottles: 40**
- **Adjustable temperature: 5-20°C**

## Door

**Door color :** Black  
**Number of glass layers :** 3  
**Anti-UV :** Yes  
**Lock :** No  
**Reversible door :** Yes  
**Handle type :** Integrated  
**Door dimensions (WxDxH) :** 58.2x4.7x71.5

## Security

## Logistic

**Net dimensions (WxDxH):** 59.5 x 57.0 x 81.5  
**Gross dimensions (WxDxH):** 66.0 x 63.0 x 89.0  
**Net weight (kg) :** 51.2  
**Gross weight (kg) :** 54.6

## Technical Data

**Energy class :** G  
**Annual energy (KWh/a) :** 107  
**Climate class :** N/ST (16-38)  
**Noise level :** 39dB / C  
**Power input :** 100.00 W  
**Voltage :** 220-240 V  
**Length of power cable :** 150 cm  
**Plug Type :** F type  
**Type of gas :** R600a  
**Gas charge :** 29 g  
**Type of compressor :** Embraco  
**Main cooling system :** Air moving system  
**Evaporator material :** Copper  
**Anti-vibration system :** Yes  
**Adjustable feet :** 4 / 3.5 cm

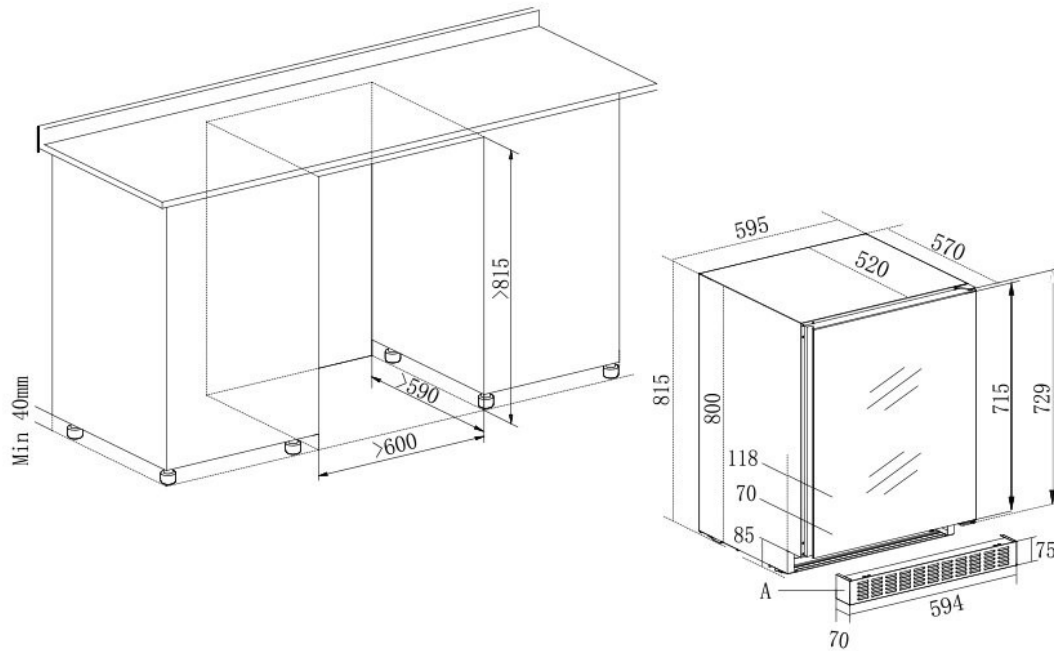
## Light

**Light source :** LED  
**Light color(s) :** White  
**Dimmable light :** no  
**Light switch :** no

**Qtty per 20' :** 54  
**Qtty per 40' :** 114  
**Qtty per 40 HC:** 157  
**Customs code:**

# PRESPROX60SRB

EAN-13 - 7090013678429



## Accessories

- 4 shelves, wire, sliding, rails
- 1 charcoal filter, (FILTRE1)

## Built-in information

- Recessed plinth :** Yes /
- Removable plinth :** Yes /