

## PRESX30DB-24



Ageing and Service Wine Cellar  
Prestige series  
Built-under counter



### GENERAL INFORMATION

**Number of bottles : 16**  
**Number of zones : 2**  
**Adjustable temperature range : 5-20°C**  
**Noise level : 38dB**  
**Energy class : G**  
**Climate class : N/ST (16-38)**  
**Vinotag compatible : Yes**

### Product description

#### Prestige by TempTech - Modern design and functionality

Wine cabinet from the Prestige series with high quality and a proper design. Equipped with a black glass front and handle, pull-out wooden shelves in beech, interior LED lighting and a digital display with touch panel for easy adjustment of both temperature and light. The model's features ensure excellent storage conditions for your wine and a better wine experience!

#### Touch panel & digital display

Easy and intuitive control of temperature and lighting.

#### Removable plinth

Removable ventilation base for integrating behind the kitchen plinth.

#### Vinotag compatible

View and manage your wine collection on the go with the Vinotag-application.

# PRESX30DB-24

EAN-13 - 7073437000366

## Capacity and Temperature

- **Number of bottles: 16**
  - Upper zone : 7
  - Lower zone : 10
- **Adjustable temperature: 5-20°C**
  - Upper zone : 5-12°C
  - Lower zone : 12-20°C

## Door

**Door color :** Black  
**Number of glass layers :** 3  
**Anti-UV :** Yes  
**Lock :** No  
**Reversible door :** Yes  
**Handle type :** Pulling bar  
**Door dimensions (WxDxH) :** 28.2x4.5x71.5

## Security

## Logistic

**Net dimensions (WxDxH):** 29.5 x 57.0 x 81.5  
**Gross dimensions (WxDxH):** 34.0 x 64.5 x 86.5  
**Net weight (kg) :** 37.9  
**Gross weight (kg) :** 40.3

## Technical Data

**Energy class :** G  
**Annual energy (KWh/a) :** 135  
**Climate class :** N/ST (16-38)  
**Noise level :** 38dB /  
**Power input :** 88.00 W  
**Voltage :** 220-240 V  
**Length of power cable :** 150 cm  
**Plug Type :** F type  
**Type of gas :** R600a  
**Gas charge :** 19 g  
**Type of compressor :** Embraco  
**Main cooling system :** Air moving system  
**Anti-vibration system :** Yes  
**Adjustable feet :** 4 / 3.5 cm

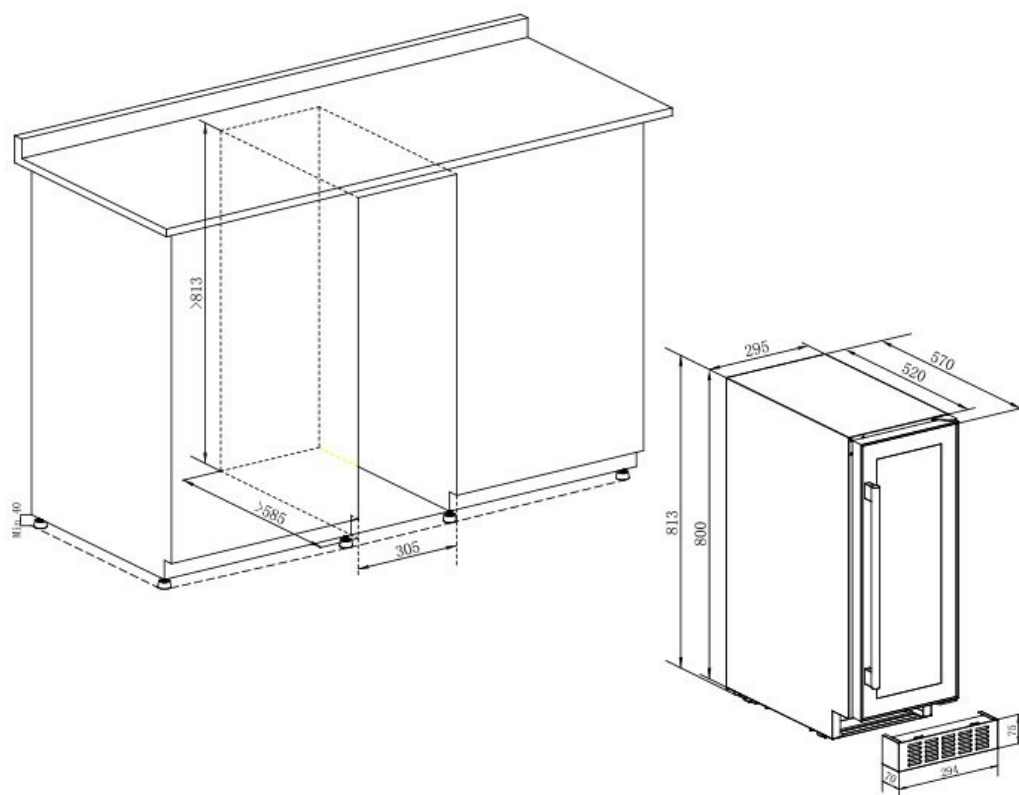
## Light

**Light source :** LED  
**Light color(s) :** Cold White  
**Dimmable light :** no  
**Light switch :** no

**Qty per 20' :** 144  
**Qty per 40' :** 305  
**Qty per 40 HC :** 344  
**Customs code :**

# PRESX30DB-24

EAN-13 - 7073437000366



## Accessories

- 4 shelves, wooden with natural wood front, sliding, rails
- 1 half shelf, wooden with natural wood front
- 1 charcoal filter, (FILTRE7)

## Built-in information

Removable plinth : Yes /