

SKX6080DRB



Ageing and Service Wine Cellar
Skagen series
Built-under counter



GENERAL INFORMATION

Number of bottles : 46
Number of zones : 2
Adjustable temperature range : 5-20°C
Noise level : 38dB
Energy class : F
Climate class : N/ST (16-38)
Vinotag compatible : Yes

Product description

From our latest series with class-leading low energy consumption and sound levels!

A safe choice of wine cabinet that delivers big on both design and functionality. Creates a beautiful and seamless integration with black glass front and integrated door handle.



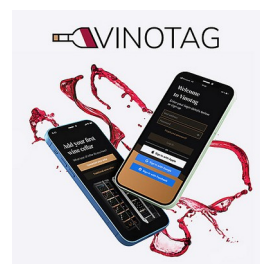
Integrated handle

The handle integrated in the door provides a clean and aesthetic appearance.



Removable plinth

Removable ventilation base for integrating behind the kitchen's plinth.



Vinotag compatible

View and manage your wine collection on the go with the Vinotag-application.

SKX6080DRB

EAN-13 - 7090013679709

Capacity and Temperature

- **Number of bottles: 46**
 - Upper zone : 24
 - Lower zone : 22
- **Adjustable temperature: 5-20°C**
 - Upper zone : 5-12°C
 - Lower zone : 12-20°C

Door

Door color : Black
Anti-UV : Yes
Lock : No
Reversible door : No
Handle type : Integrated
Door dimensions (WxDxH) : 59.2x4.3x79.6

Security

Alarm : Door

Logistic

Net dimensions (WxDxH): 59.5 x 57.5 x 88.0
Gross dimensions (WxDxH): 66.0 x 63.0 x 95.0
Net weight (kg) : 50.0
Gross weight (kg) : 55.0

Technical Data

Energy class : F
Annual energy (KWh/a) : 106
Climate class : N/ST (16-38)
Noise level : 38dB /
Power input : 90.00 W
Voltage : 220-240 V
Length of power cable : 150 cm
Plug Type : F type
Type of gas : R600a
Gas charge : 28 g
Type of compressor : Inverter Embraco
Main cooling system : Air moving system
Anti-vibration system : Yes
Adjustable feet : 4 / 5 cm

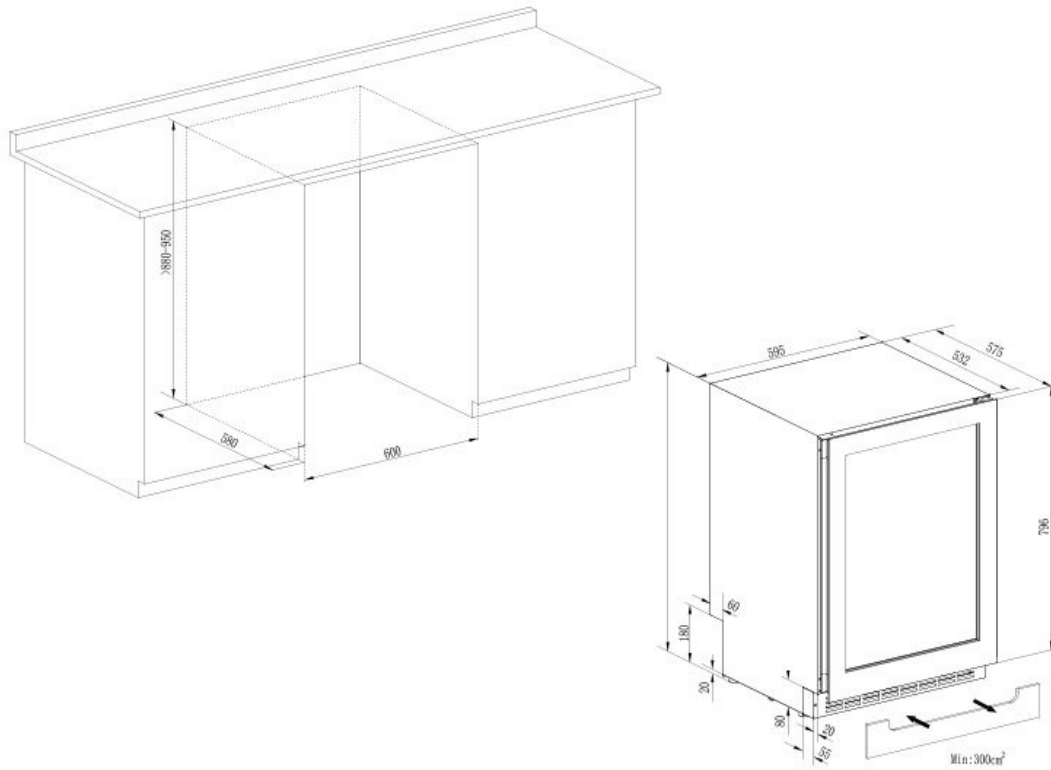
Light

Light source : LED
Light color(s) : White
Dimmable light : no
Light switch : no

Qty per 20' : 54
Qty per 40' : 108
Qty per 40 HC: 150
Customs code:

SKX6080DRB

EAN-13 - 7090013679709



Accessories

- 5 shelves, wooden with natural wood front, sliding, rails, anti-vibration system
- 1 half shelf, wooden with natural wood front
- 2 charcoal filters, (FILTRE7)

Built-in information

- Recessed plinth :** Yes /
- Removable plinth :** Yes /