

## SOMX60DRB-24



Ageing and Service Wine Cellar  
Sommelier series  
Built-under counter



### GENERAL INFORMATION

**Number of bottles : 46**  
**Number of zones : 2**  
**Adjustable temperature range : 5-20°C**  
**Noise level : 38dB**  
**Energy class : G**  
**Climate class : N/ST (16-38)**  
**Vinotag compatible : Yes**

### Product description

#### Sommelier by Temptech - Professional grade storage conditions

Wine cabinet designed for optimal conditions and an improved wine experience. Equipped with pull-out wooden shelves with black details, a black glass front, interior LED lighting and a digital display with touch panel for easy adjustment of both temperature and lighting. With an even and stable temperature, the right humidity and minimal vibrations, you can be sure you are storing your wine collection in the best possible way!

#### Integrated handle

The handle integrated in the door provides a clean and aesthetic appearance.

#### Removable plinth

Removable ventilation base for integrating behind the kitchen's plinth.

#### Vinotag compatible

View and manage your wine collection on the go with the Vinotag-application.

# SOMX60DRB-24

EAN-13 - 7073437000335

## Capacity and Temperature

- **Number of bottles: 46**
  - Upper zone : 16
  - Lower zone : 30
- **Adjustable temperature: 5-20°C**
  - Upper zone : 5-12°C
  - Lower zone : 12-20°C

## Door

**Door color :** Black  
**Number of glass layers :** 2  
**Anti-UV :** Yes  
**Lock :** No  
**Reversible door :** Yes  
**Handle type :** Integrated  
**Door dimensions (WxDxH) :** 58.2x4.7x71.5

## Security

## Logistic

**Net dimensions (WxDxH):** 59.5 x 57.0 x 81.5  
**Gross dimensions (WxDxH):** 65.5 x 63.0 x 88.0  
**Net weight (kg) :** 50.5  
**Gross weight (kg) :** 54.0

## Technical Data

**Energy class :** G  
**Annual energy (KWh/a) :** 145  
**Climate class :** N/ST (16-38)  
**Noise level :** 38dB /  
**Power input :** 100.00 W  
**Voltage :** 220-240 V  
**Length of power cable :** 150 cm  
**Plug Type :** F type  
**Type of gas :** R600a  
**Gas charge :** 29 g  
**Type of compressor :** Embraco  
**Main cooling system :** Air moving system  
**Anti-vibration system :** Yes  
**Adjustable feet :** 4 / 3.5 cm

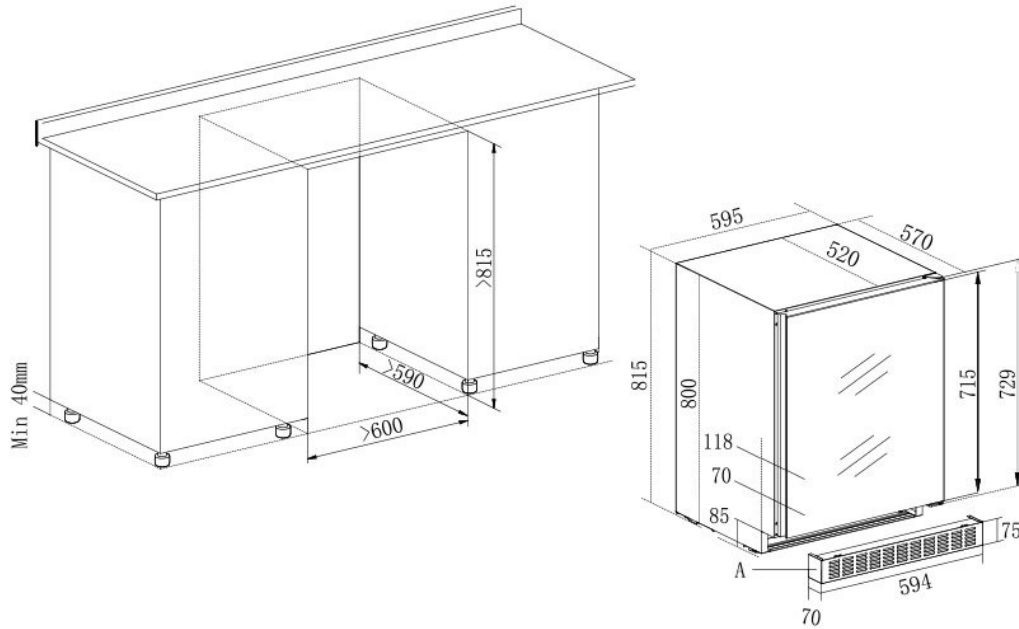
## Light

**Light source :** LED  
**Light color(s) :** Cold White  
**Dimmable light :** no  
**Light switch :** no

**Qty per 20' :** 54  
**Qty per 40' :** 114  
**Qty per 40 HC :** 157  
**Customs code :**

# SOMX60DRB-24

EAN-13 - 7073437000335



## Accessories

- 5 shelves, wooden with black front, sliding, rails
- 1 half shelf, wooden with black front
- charcoal filter, (FILTRE1)

## Built-in information

- Recessed plinth :** Yes /  
**Removable plinth :** Yes /