

## SKX6070DKF



Ageing and Service Wine Cellar  
Skagen series  
Built-under counter



### GENERAL INFORMATION

**Number of bottles : 34**  
**Number of zones : 2**  
**Adjustable temperature range : 5-20°C**  
**Noise level : 37dB**  
**Energy class : E**  
**Climate class : N/ST (16-38)**  
**Vinotag compatible : Yes**  
**Wifi connection : yes**

### Product description

**From our latest range with class-leading low energy consumption and sound levels!**

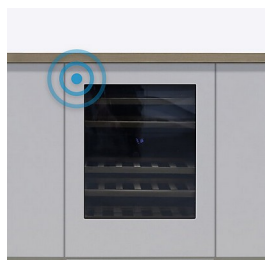
A safe choice of wine cabinet that delivers big on both design and functionality. The SKX6070DKF with KitchenFit allows you to choose the kitchen frame of your choice and is equipped with a “push-to-open” door that will create a beautiful and seamless installation. Upgraded shelving system that allows the model to accommodate champagne bottles in addition to all other standard bottles, so you are no longer limited to Bordeaux-sized bottles.



**KitchenFit**  
TEMPTECH

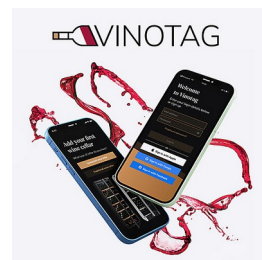
#### Temptech KitchenFit

Choose a custom kitchen front for your wine cabinet to match your kitchen.



#### Push-to-open

Aesthetic design and easy access to your collection with electronic “push-to-open”-function.



#### Vinotag compatible

View and manage your wine collection on the go with the Vinotag-application.

# SKX6070DKF

EAN-13 - 7090013679693

## Capacity and Temperature

- **Number of bottles: 34**
  - Upper zone : 14
  - Lower zone : 20
- **Adjustable temperature: 5-20°C**
  - Upper zone : 5-12°C
  - Lower zone : 12-20°C

## Door

**Door color :** Black  
**Number of glass layers :** 3  
**Anti-UV :** Yes  
**Lock :** No  
**Reversible door :** No  
**Handle type :** Electronic Push-pull opening  
**Door dimensions (WxDxH) :** 59x4.1x69.6

## Security

## Logistic

**Net dimensions (WxDxH):** 59.5 x 55.0 x 80.0  
**Gross dimensions (WxDxH):** 66.0 x 63.0 x 88.5  
**Net weight (kg) :** 57.0  
**Gross weight (kg) :** 63.0

## Technical Data

**Energy class :** E  
**Annual energy (KWh/a) :** 79  
**Climate class :** N/ST (16-38)  
**Noise level :** 37dB /  
**Power input :** 90.00 W  
**Voltage :** 220-240 V  
**Length of power cable :** 150 cm  
**Plug Type :** F type  
**Type of gas :** R600a  
**Gas charge :** 28 g  
**Type of compressor :** Inverter Embraco  
**Main cooling system :** Air moving system  
**Anti-vibration system :** Yes  
**Adjustable feet :** 4 / 8 cm

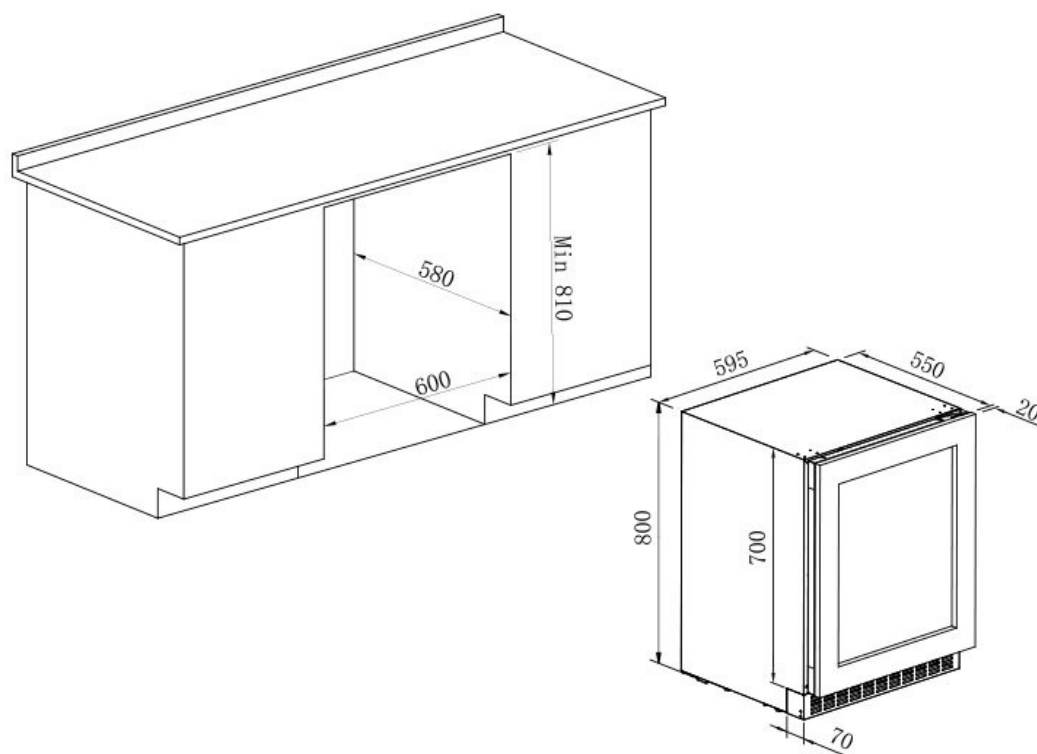
## Light

**Light source :** LED  
**Light color(s) :** Amber, Warm White, Cold White  
**Dimmable light :** no  
**Light switch :** no

**Qtty per 20' :** 74  
**Qtty per 40' :** 157  
**Qtty per 40 HC:** 171  
**Customs code:**

# SKX6070DKF

EAN-13 - 7090013679693



## Accessories

- 4 shelves, wooden with natural wood front, sliding, rails, anti-vibration system
- 1 half shelf, wooden with natural wood front
- 2 charcoal filters, (FILTRE7)

## Built-in information

**Built-in dimensions (WxDxH) :** 60.00 x 58.00 x 81.00

**Self ventilation system :** No

**Plumbing passage :** No

**Recessed plinth :** Yes /

**Removable plinth :** Yes /