

## SKX6070DRB



Ageing and Service Wine Cellar  
Skagen series  
Built-under counter



### GENERAL INFORMATION

**Number of bottles : 34**  
**Number of zones : 2**  
**Adjustable temperature range : 5-20°C**  
**Noise level : 37dB**  
**Energy class : E**  
**Climate class : N/ST (16-38)**  
**Vinotag compatible : Yes**  
**Wifi connection : yes**

### Product description

**From our latest series with class-leading low energy consumption and sound levels!**

A safe choice of wine cabinet that delivers big on both design and functionality. Creates a beautiful and seamless integration with black glass front and integrated door handle. Upgraded shelving system that allows the model to accommodate champagne bottles in addition to all other standard bottles, so you are no longer limited to Bordeaux-sized bottles.



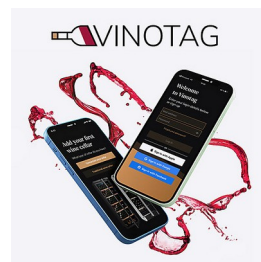
#### Integrated handle

The handle integrated in the door provides a clean and aesthetic appearance.



#### Removable plinth

Removable ventilation base for integrating behind the kitchen's plinth.



#### Vinotag compatible

View and manage your wine collection on the go with the Vinotag-application.

# SKX6070DRB

EAN-13 - 7090013679686

## Capacity and Temperature

- **Number of bottles: 34**
  - Upper zone : 14
  - Lower zone : 20
- **Adjustable temperature: 5-20°C**
  - Upper zone : 5-12°C
  - Lower zone : 12-20°C

## Door

**Door color** : Black  
**Anti-UV** : Yes  
**Lock** : No  
**Reversible door** : Yes  
**Handle type** : Integrated  
**Door dimensions (WxDxH)** : 59x5.5x70

## Security

## Logistic

**Net dimensions (WxDxH)**: 59.5 x 56.5 x 80.0  
**Gross dimensions (WxDxH)**: 66.0 x 63.0 x 88.5  
**Net weight (kg)** : 58.0  
**Gross weight (kg)** : 62.0

## Technical Data

**Energy class** : E  
**Annual energy (KWh/a)** : 79  
**Climate class** : N/ST (16-38)  
**Noise level** : 37dB /  
**Power input** : 90.00 W  
**Voltage** : 220-240 V  
**Length of power cable** : 150 cm  
**Plug Type** : F type  
**Type of gas** : R600a  
**Gas charge** : 28 g  
**Type of compressor** : Inverter Embraco  
**Main cooling system** : Air moving system  
**Anti-vibration system** : Yes  
**Adjustable feet** : 4 / 8 cm

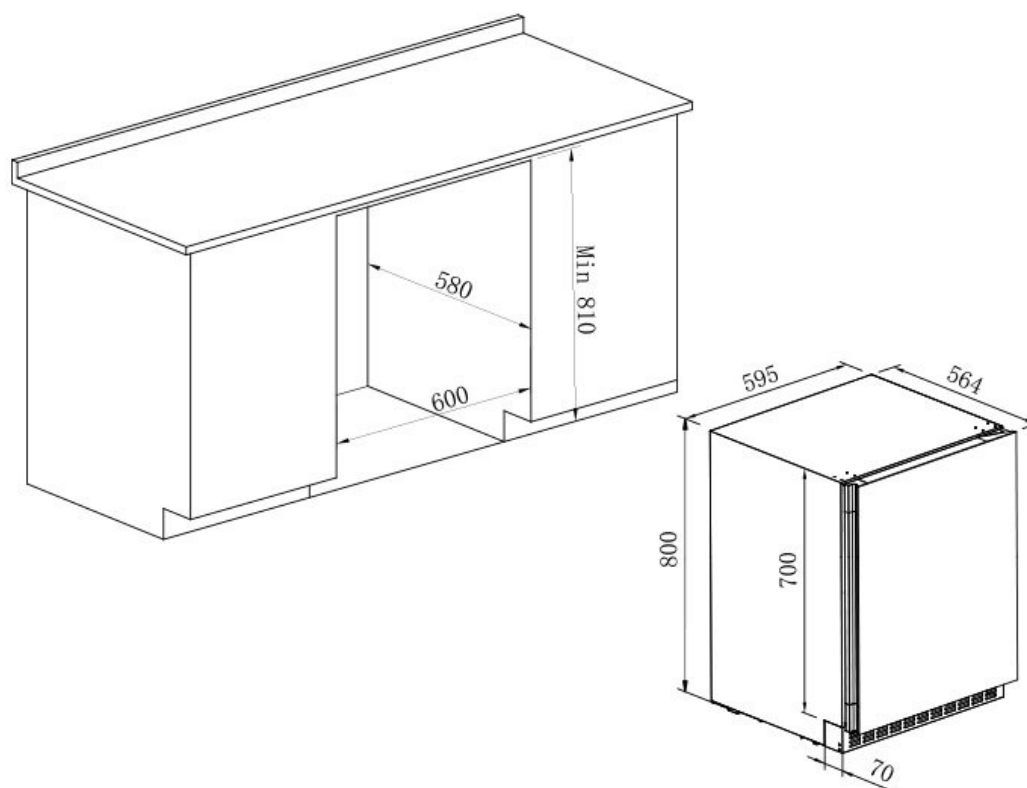
## Light

**Light source** : LED  
**Light color(s)** : Amber, Warm White, Cold White  
**Dimmable light** : no  
**Light switch** : no

**Qty per 20'** : 74  
**Qty per 40'** : 157  
**Qty per 40 HC**: 171  
**Customs code**:

# SKX6070DRB

EAN-13 - 7090013679686



## Accessories

- 5 shelves, wooden with natural wood front, sliding, rails, anti-vibration system
- 2 charcoal filters, (FILTRE7)
- 1 half shelf, wooden with natural wood front

## Built-in information

- Recessed plinth :** Yes /
- Removable plinth :** Yes /