

SKX6070DKFL



Ageing and Service Wine Cellar
Skagen series
Built-under counter



GENERAL INFORMATION

Number of bottles : 34
Number of zones : 2
Adjustable temperature range : 5-20°C
Noise level : 37dB
Energy class : E
Climate class : N/ST (16-38)
Vinotag compatible : Yes
Wifi connection : yes

Product description

From our latest range with class-leading low energy consumption and sound levels!

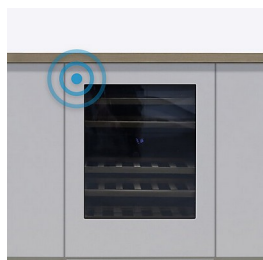
A safe choice of wine cabinet that delivers big on both design and functionality. The SKX6070DKF with KitchenFit allows you to choose the kitchen frame of your choice and is equipped with a “push-to-open” door that will create a beautiful and seamless installation. Upgraded shelving system that allows the model to accommodate champagne bottles in addition to all other standard bottles, so you are no longer limited to Bordeaux-sized bottles.



KitchenFit
TEMPTECH

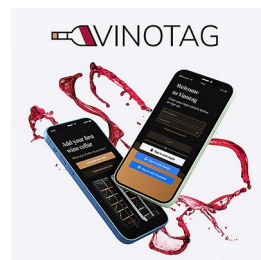
Temptech KitchenFit

Choose a custom kitchen front for your wine cabinet to match your kitchen.



Push-to-open

Aesthetic design and easy access to your collection with electronic “push-to-open”-function.



Vinotag compatible

View and manage your wine collection on the go with the Vinotag-application.

SKX6070DKFL

EAN-13 -

Capacity and Temperature

- **Number of bottles: 34**
 - Upper zone : 14
 - Lower zone : 20
- **Adjustable temperature: 5-20°C**
 - Upper zone : 5-12°C
 - Lower zone : 12-20°C

Door

Door color : Black
Number of glass layers : 3
Anti-UV : Yes
Lock : No
Reversible door : No
Handle type : Electronic Push-pull opening
Door dimensions (WxDxH) : 59x4.1x69.6

Security

Logistic

Net dimensions (WxDxH): 59.5 x 55.0 x 80.0
Gross dimensions (WxDxH): 66.0 x 63.0 x 88.5
Net weight (kg) : 57.0
Gross weight (kg) : 63.0

Technical Data

Energy class : E
Annual energy (KWh/a) : 79
Climate class : N/ST (16-38)
Noise level : 37dB /
Power input : 90.00 W
Voltage : 220-240 V
Length of power cable : 150 cm
Plug Type : F type
Type of gas : R600a
Gas charge : 28 g
Type of compressor : Inverter Embraco
Main cooling system : Air moving system
Anti-vibration system : Yes
Adjustable feet : 4 / 8 cm

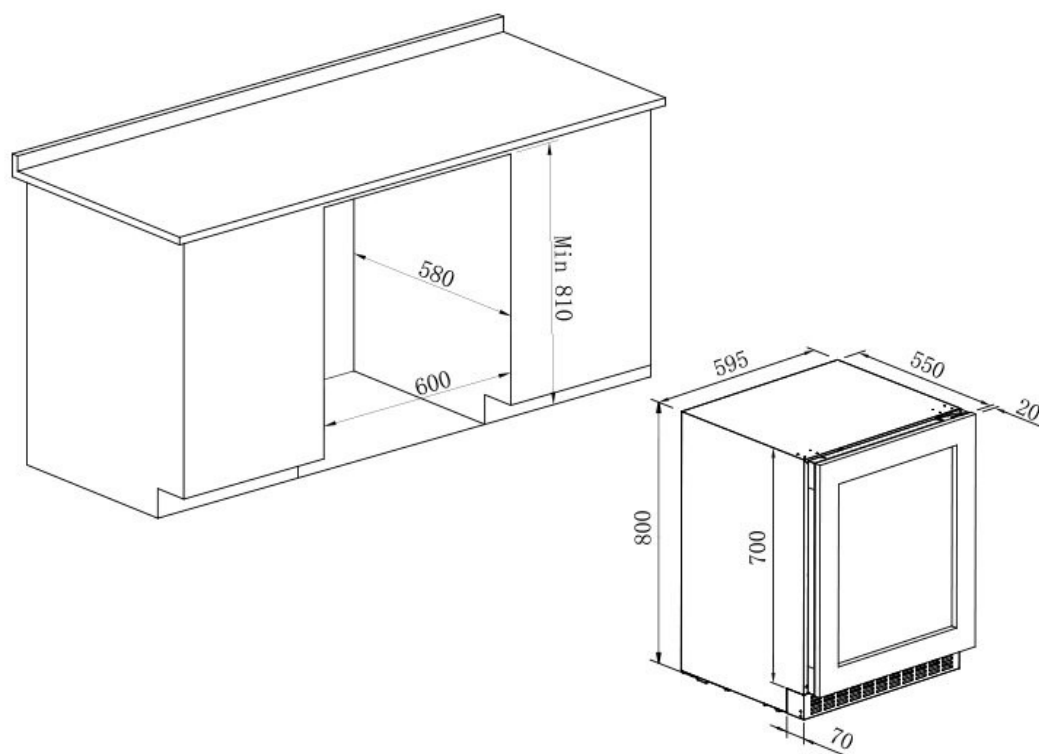
Light

Light source : LED
Light color(s) : Amber, Warm White, Cold White
Dimmable light : no
Light switch : no

Qty per 20' : 74
Qty per 40' : 157
Qty per 40 HC: 171
Customs code:

SKX6070DKFL

EAN-13 -



Accessories

- 4 shelves, wooden with natural wood front, sliding, rails, anti-vibration system
- 1 half shelf, wooden with natural wood front
- 1 charcoal filter, (FILTRE1)

Built-in information

Built-in dimensions (WxDxH) : 60.00 x 58.00 x 81.00

Self ventilation system : No

Plumbing passage : No

Recessed plinth : Yes /

Removable plinth : Yes /